



HU6511

# LITHIUM-ION JUMP STARTER

PORTABLE EMERGENCY  
POWER SUPPLY

18,000mAh  
2,000amp



# USER MANUAL

# CAUTION

Please read the user manual carefully and use the product correctly based on the user manual so that you can be familiar with the product more conveniently and quickly!

# TECHNICAL SPECIFICATIONS

**Capacity:** 66.6 Wh

**Dimensions:** 183 (L) x 119 (W) x 45.6 mm (H)

**Weight:** 2kg

**Battery:** Lithium-Ion

**Output voltage:** 12V to 19V

**Output ports:** USB -5V 2.1A

Auto jump starter -12V

Electronic - 12/19V 3.5A

**Input Charging Ports:** 3.5mm -18V 1.5A

**Start current:** 1200A

**Peak Current:** 2000A

**Operating Temperature:** -20°C to +60°C

**Charging times:** 240V Wall Charger: 3~4 hours

12V DC Charger: 5~6 hours

# IMPORTANT SAFETY INFORMATION

PLEASE read this entire manual before attempting to use the product.

## WARNING:

1. Do not damage, drop or crush this item. Do not attempt to use the jump starter if it has been damaged in any way.
2. Do not charge this item in wet conditions (rain, snow, damp). Do not use this product in explosive environments (dust, bilge, gaseous fumes, or flammable materials).
3. Do not burn or Incinerate this product, It may explode, causing personal injury or damage. Toxic fumes and other potentially harmful materials are created when the battery is burned.
4. Do not disassemble this product. It may result in risk of fire, electric shock or exposure to battery chemicals.
5. Do not insert foreign objects into any input or output ports. This item may short circuit. Any metal that comes in contact with the jumper cable port may short circuit. Short circuiting this product will damage the battery and may cause personal injury or fire.
6. This is a Lithium ion battery. In the unlikely event that this product leaks battery chemicals. Do not allow contact with skin, eyes or mouth as It may cause personal injury or burns. If skin Is exposed to battery chemicals, wash with soap and water and rinse with vinegar.If your eyes come in contact with battery chemicals immediately flush with water and then see a medical professional.
7. When recharging this item, make sure the area is well ventilated. Please do not smoke or allow open flames near a charging battery.
8. Never jump start a frozen battery.
9. Please keep the product away from and out of reach of children.
10. Do not expose the battery to temperatures over over +60°C or below -20°C.
11. If the unit needs to be disposed of for any reason. It must be disposed of properly by calling your nearest lithium-ion battery recycle facility.
12. If the product malfunctions or is having problems, discontinue use and return to the place of purchase.
13. Store this unit in a cool dry location.
14. This unit is not designed to be used in place of a vehicle battery.
15. This unit is not designed to be used as a car battery charger. It is for jump starting only.

## WARNING:

**Warning.** Always properly ventilate the area before attempting to start the engine, hook up a Jump starter or start the jump starting process **DO NOT** use this product near or in the presence of propane tanks, natural gas or any other explosive fumes that may accumulate, especially in low or enclosed areas. Note that the lead acid battery may vent potentially explosive gases during the process of cranking the engine. - **ALWAYS KEEP THE AREA WELL VENTILATED** to eliminate potentially explosive gases before performing any jump starting process.

1. Shield eyes with protective safety glasses or safety goggles.
2. Make sure the ignition switch in the vehicle to be jumped is in the off position before attaching cables.
3. Always put the ground (Black) cable on a non-moving engine ground point. Never connect clamps to the carburetor or fuel Injection system as a ground point.



### **WARNING:**

**DO NOT** crank the engine for more than 4 continuous seconds while the unit is connected to the battery. If the engine fails to crank or start there may be a problem other than a discharged battery.

## GENERAL INFORMATION

The HULK Professional Series HU6512 Jump Start is capable of starting Diesel engines up to 7L & Petrol engines up to 10L.



### Compatible With:



The HULK Professional Series Jump Starter has 66.6wh of capacity for charging laptops, mobile phones, portable gaming devices, MP3/MP4 players, cameras, tablets and other electronic devices. It charges at 2 times the rate of a typical AC wall outlet. It also has an LED flashlight with 3 modes.

### Recharging the Jump Starter Unit:

240V AC - Plug the charging jack of the wall charger into the charge port of the jump start (8) then plug the wall charger into a power socket and turn on. The device is charging when the LED battery indicator "IN" flashes red.

12V DC - Plug the charging jack of the of the cigarette lighter charger into the charge port of the jump start (8) then plug the cigarette lighter end into a power socket. When the unit is fully charged, the LED battery level will be at 100%.

**Note:** Full recharge of the unit should take between 4-6 hours depending upon battery level. We recommend charging the unit every 6 months for optimum performance.

## **LED Flashlight Operation:**

Press and hold the power button (4) for three seconds to turn on the flashlight. Press the power button (4) again for slow flash and again for SOS fast flash. Press again to turn off.

## **Charging Electronic Devices:**

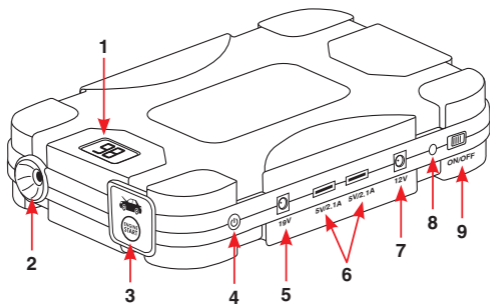
Turn the on/off button (9) to the on position. Insert the included 4 in 1 cable or other USB cable into one of the USB ports (6) and the other end into the device being charged. (mobile phone, tablet, camera, or other electronic device).

## **Charging Laptop Devices:**

Turn the on/off button (9) to the on position. Insert the included cable into the 12V (7) or 19V (5) port and the other end (with the correct adaptor fitted) into the device being charged.

Please check that the correct voltage, 12V or 19V, for your device has been selected, the charge voltage is on the label on the rear of your device.

# PRODUCT FEATURES



1. LED display	2. Flashlight	3. Battery terminal socket
4. Power button	5. 19V - 3.5A output	6. 5V - 2.1A output
7. 12V - 4A output	8. 18V/1.5A input	9. Power ON/OFF

## FUNCTION ON SMART BATTERY JUMPER CABLE

1. Reverse polarity connection: Solid Red LED with fast 2 short beep.
2. Short-circuit protection: Solid Red LED with long beep (Beeping as 3.3Hz Frequency).
3. Over-heat protection: Solid red LED with Long beep (Beeping as 2Hz Frequency).
4. Over-discharging protection: Solid red LED with fast 2 short beep.
5. Green/Red LED flashing: Searching for status of connection.
6. Green Led: Correct connection after one beep

**Note:** The jump start LED display will shut down after 20 seconds of inactivity.  
Press the power button (4) to reactivate.



# PACKAGE CONTENTS



Carry Case



Jumper Cables



Laptop Adaptors



Power Adaptor



3 in 1 Mobile Adaptor

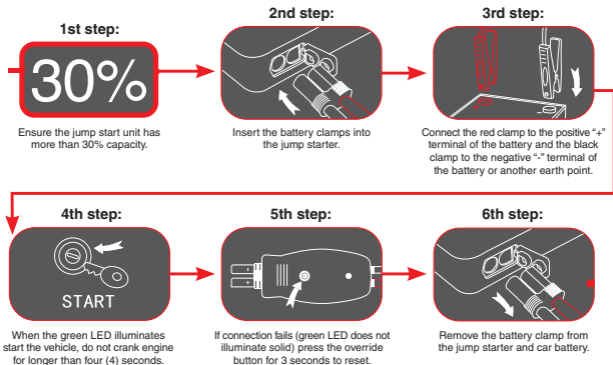


Car Charger

# QUICK START GUIDE: JUMP STARTER

Before attempting to jump start your vehicle, please read your vehicle owners manual to insure there are no specific steps needed.

DO NOT crank the engine for more than 4 continuous seconds while the unit is connected to the battery. If the engine fails to crank or start, there may be a problem other than a discharged battery.



## IMPORTANT:

If jump starter does not jump start the engine, the jump starter may not have sufficient charge OR the jumper cable may be improperly connected to the vehicle battery.

## NOTE:

When connecting cables: If there is an improper connection, a solid **RED** LED will appear on the Smart Cable and the unit will emit an audible alarm. If you are hearing the alarm this means that the unit is not connected properly and will not start the vehicle. Reset this alarm by pressing the override button for 3 seconds.

# JUMP STARTING A VEHICLE

1. Refer to your vehicle's owners manual for proper jump start location.
2. Check the battery terminals to ensure they are clean and free from any debris for best connection.
3. Identify the positive "+" and negative "-" terminals of the battery before connecting the clamps.
4. Make sure jump starter battery has at least 30% charge.
5. Plug the jumper cables into the jump starter output port (next to the LED light).
6. Turn Switch to the "ON" position
7. Connect cables to your vehicle's battery by first connecting the "+" positive/red cable clamp to the "+" positive/red cable terminal on your vehicle's battery. Next connect the "-" negative/black cable clamp to the "-" negative/black terminal on your vehicle's battery. Where possible connect the earth clamp to a chassis earth or non moving engine earth.
8. Turn the ignition key to the on position, so that the unit will detect a current draw and activate properly. For push button ignition systems, push the ignition button twice without depressing the brake, to engage the smart cable.
9. When the LED on the smart battery cable is solid green there is a correct connection to start the vehicle.
10. If LED's are blinking red, solid red or alternating red/green then see smart battery cable function on page 7.
11. Once you have a proper connection, start the engine  
**NOTE: This unit uses advanced safety jumper cables which provide short circuit protection, reverse polarity protection and temperature limits. Please ONLY use the jumper cables supplied with this unit to ensure safety and best results.**
12. Disconnect clamps Immediately after starting vehicle.

# WARRANTY INFORMATION

- We offer a limited warranty for this product against any defects in material and workmanship for a period of 12 months from the date of purchase by the end user/consumer. Return to the place of purchase for warranty or repairs.

The conditions of the warranty are as follows:

- The warranty is only valid upon presentation of the original receipt (from dealer/retailer) by the original purchaser with the product to be repaired or replaced.
- The warranty is void if the serial number, date of purchase and label has been removed.
- The warranty does not cover damage or product failure resulting from normal wear and tear, physical abuse, improper installation, misuse, modification or repairs by unauthorized third parties.
- We do not assume responsibility for any loss or damage incurred during shipment or as a result of a force majeure.
- We are not liable for any incidental or consequential damages arising from the use or misuse of this product.
- All warranty claims are limited to repair or replacement of the defective product and at the sole discretion of Automotive Imports.
- If we replace the product, the product will be covered for the remaining time of the original warranty period.
- Consumable components such as batteries are not covered by the warranty.



# Warranty Card

## ONE YEAR LIMITED WARRANTY

Model		Serial NO.	
Purchase Date		Maintenance Date	
Customer Name		Tel	
Address			
Seller			
Description of Product			

**Caution:**  
**Please read the user manual carefully**



**Manufactured and Packaged for**

**Automotive Imports Pty Ltd**  
**22 – 28 Lexton Road, Box Hill**  
**Victoria, Australia**

**AUS:** [www.hulk4x4.com.au](http://www.hulk4x4.com.au)

**NZ:** [www.hulk4x4.co.nz](http://www.hulk4x4.co.nz)



Circuit protection



Fuse protection



Reverse polarity protection

