

SB47F / SR48F / SR70F

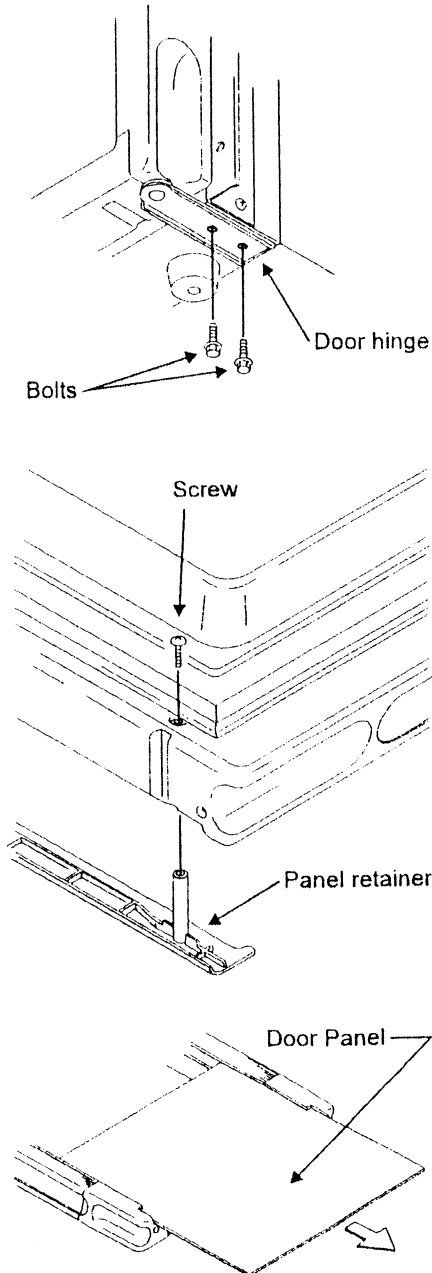
How to replace door panel

NOTE: The decorative door panel must be 4 mm or less in thickness.

1. Remove the door from the refrigerator by removing the two (2) bolts that attach the door hinge to the bottom of the refrigerator.
2. Remove the panel retainer by removing the two (2) screws that attach the panel retainer.
3. Gently pull the door panel out of the door.
4. Push a new door panel into the door slot.

CAUTION: Do not overtighten the screws and bolts.

5. Put the panel retainer in the original location and attach with two (2) screws.
6. Put the door in the original location and tighten the two (2) bolts.



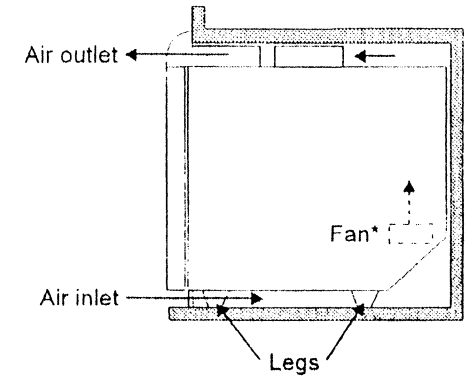
VENTING

Sufficient ventilation (airflow) over the rear mounted condenser of the refrigerator is necessary for the refrigerator to operate correctly.

* NOTE: The fan will operate only when the ambient temperature is higher than approximately 95° F.

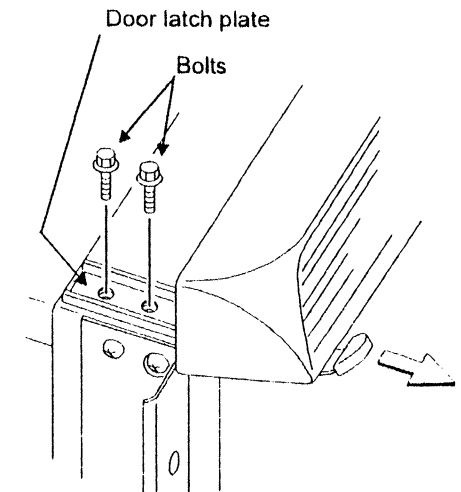
CAUTION: Do not remove the bottom legs from the refrigerator cabinet. The legs supply space under the refrigerator that is necessary for correct ventilation.

If you do not make sure that the ventilation is correct, a shortened refrigerator life expectancy, poor refrigeration, continuous operation, accelerated battery discharge and a void warranty will result.



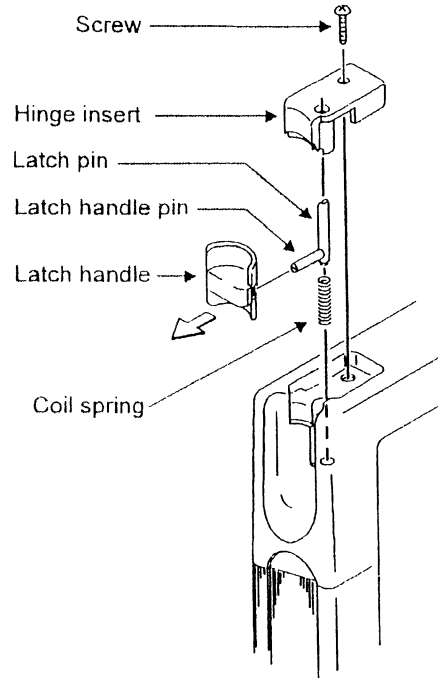
How to change opening direction

1. Remove the door from the refrigerator by removing the two (2) bolts that attach the door hinge to the bottom of the refrigerator.
2. Remove the two (2) bolts that attach the upper hinge.
3. Remove the bolt that attaches the door latch plate to the top of the refrigerator.
4. Remove the upper hinge and the door latch plate from the refrigerator.
5. Attach the upper hinge and the door latch plate to the opposite sides of the refrigerator.



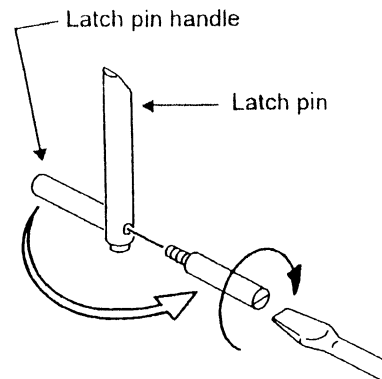
6. Move the latch to the opposite side of the door.

- Remove the screw that attaches the hinge insert to the door.
- Remove the hinge insert, the latch handle, and the coil spring from the door.
- Pull the latch handle pin out of the recess in the latch handle.
- Move the latch handle pin to opposite side of the latch pin.
- Turn the latch handle upside down and push the latch handle pin into the recess of the latch handle.
 - Make sure the angled top faces the door latch plate.
- Assemble the coil spring, the latch handle, and the hinge insert into the opposite side of the door.
- Install and tighten the screw that attaches the hinge insert to the door.



7. Put the door onto the refrigerator

8. Install and tighten the two (2) screws that attach the door hinge to the bottom of the refrigerator.



Model	SB47F / SR48F	SR70F
ventilation opening	Dj 510.5 + 16 Br 423 H 530 (Dj) 451 (Br) 387 (H) 521	Dj 586 + 16 Br 506 H 530 (Dj) 533 (Br) 468 (H) 521
	Dj 877 Br 407	Dj 1032 Br 488.5