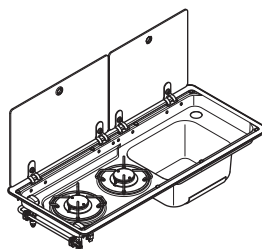
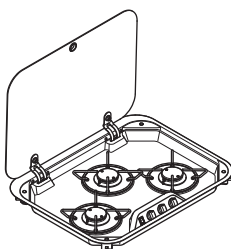
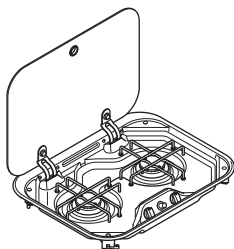


↗ DOMETIC

# HOT AND COOKING HOBS AND COMBINATIONS



PI8022, PI8023, MO9722

EN

## Cooktops and combinations

Installation and Operating Manual

© 2026 Dometic Group. The visual appearance of the contents of this manual is protected by copyright and design law. The underlying technical design and the products contained herein may be protected by design, patent or pending patent. The trademarks mentioned in this manual belong to Dometic Sweden AB. All rights are reserved.

Please read these instructions carefully and follow all instructions, guidelines, and warnings included in this product manual in order to ensure that you install, use, and maintain the product properly at all times. These instructions **MUST** stay with this product.

By using the product, you hereby confirm that you have read all instructions, guidelines, and warnings carefully and that you understand and agree to abide by the terms and conditions as set forth herein. You agree to use this product only for the intended purpose and application and in accordance with the instructions, guidelines, and warnings as set forth in this product manual as well as in accordance with all applicable laws and regulations. A failure to read and follow the instructions and warnings set forth herein may result in an injury to yourself and others, damage to your product or damage to other property in the vicinity. This product manual, including the instructions, guidelines, and warnings, and related documentation, may be subject to changes and updates. For up-to-date product information, please visit [dometic.com](http://dometic.com).

## Contents

|    |                                       |    |
|----|---------------------------------------|----|
| 1  | Explanation of symbols . . . . .      | 3  |
| 2  | General safety instructions . . . . . | 4  |
| 3  | Scope of delivery . . . . .           | 7  |
| 4  | Intended use . . . . .                | 7  |
| 5  | Technical description . . . . .       | 8  |
| 6  | Installing the device . . . . .       | 11 |
| 7  | Using the device . . . . .            | 18 |
| 8  | Cleaning the device . . . . .         | 22 |
| 9  | Maintaining the device . . . . .      | 23 |
| 10 | Troubleshooting . . . . .             | 26 |
| 11 | Warranty . . . . .                    | 27 |
| 12 | Disposal . . . . .                    | 28 |
| 13 | Technical data . . . . .              | 29 |

## 1 Explanation of symbols



### **WARNING!**

**Safety instruction:** Indicates a hazardous situation that, if not avoided, could result in death or serious injury.



### **CAUTION!**

**Safety instruction:** Indicates a hazardous situation that, if not avoided, could result in minor or moderate injury.

**NOTICE!**

Indicates a situation that, if not avoided, can result in property damage.

**NOTE**

Supplementary information for operating the product.

## 2 General safety instructions

### 2.1 General safety

**WARNING!**

- This device must only be repaired by qualified personnel. Improper repairs can result in considerable danger or damage to the device.
- DO NOT MODIFY THIS DEVICE.
- Observe the allowed gas given in chapter “Technical data” on page 29. Do **not** use any other fuels.
- Keep a suitable fire extinguisher in the immediate vicinity. Ensure that the fire extinguisher is checked by a specialist in regular intervals.
- DO NOT SPRAY AEROSOLS IN THE VICINITY OF THIS DEVICE WHILE IT IS IN OPERATION.
- DO NOT USE OR STORE FLAMMABLE MATERIALS IN OR NEAR THIS DEVICE.
- DO NOT USE AN UNLINED MASONRY CHIMNEY AS THE FLUE FOR THIS DEVICE.
- DO NOT PLACE ARTICLES ON OR AGAINST THIS DEVICE.
- This device is not connected to a combustion products evacuation device. It shall be installed and connected in accordance with AS/NZS 5601.2 and all other relevant national and local regulations. Particular attention shall be given to the relevant requirements regarding ventilation.

**CAUTION!**

- In case of safety glass cover breakage:
  - Shut off immediately all burners and any electrical heating element and isolate the device from the power supply.
  - Do not touch the device surface.

- Do not use the device.

## 2.2 Safety when operating with gas



### WARNING!

- Keep flammable substances away from heating and cooking devices, and other light and heat sources.
- **Suffocation hazard!**  
Before switching on the device, ensure that the area is sufficiently ventilated.
- **Only** operate the device at the pressure specified on the type plate. Only use pressure regulators with a fixed setting that comply with the national regulations.
- If you smell gas:
  - Open all windows and leave the room.
  - Do not operate any electrical devices or switches, and avoid using open flames that can ignite the gas.
  - Close the valve on the gas cylinder and keep it closed until the fault has been rectified.
  - Never attempt to find a gas leak with an open flame.

## 2.3 Operating the device safely

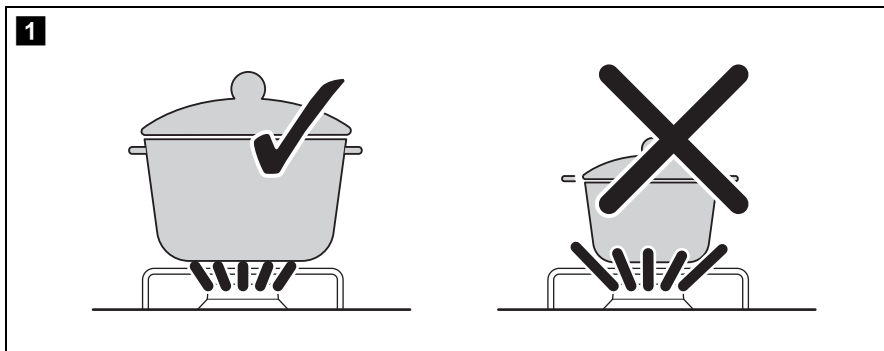


### WARNING!

- Use the integrated igniter. The complete ignition process must be visible from above and must not be hidden by pots placed on the stove. Remove your hand quickly as soon as the burner ignites.
- Wear suitable clothing when operating the device. Do not wear loose fitting clothing which might catch fire.
- Do not use the device to heat the room.
- Never operate the device
  - at petrol stations
  - on ferry boats
  - while transporting the camper van, caravan or motor caravan with a transport vehicle or tow truck
- Do not spray aerosols in the vicinity of this device while it is in operation.

**CAUTION!**

- Let the device cool down to ambient temperature before you touch it with bare hands.
- Keep the area surrounding the device free of grease, fat, alcoholic substances, plastics and flammable cloths (for example, curtains, towels, kitchen utensils).
- Only use pots and pans with an even base and a diameter no larger than the grids on the device. The pots and pans must be large enough to cover the flame. If the flames are not covered, items of clothing could catch fire.



- 1
- When cooking, ensure that pans and pots are firmly set down.
  - Never allow pot handles to extend beyond the edge of the device. Turn pot handles inward, but not extending over other burners. This will minimize the risk of spillage, ignition of flammable materials and/or serious burns.
  - Be careful when heating grease or oil. Grease and oil catch fire when exposed to intense heat.
  - Use only dry pot holders to prevent the formation of steam. Do not use towels or similar items instead of pot holders, as these can catch fire.
  - Only operate the device when you or another person can attend to it. Pots boiling over can cause smoke and fires.
  - Turn off the device before removing the pot or pan.
  - **Risk of breakage!**  
If available close the glass cover before beginning a journey. Open the glass cover before igniting the burner.

## 2.4 Operating the device safely outdoors



- Do not operate the device during rain unless it has protection such as an awning.
- Always ensure there is sufficient ventilation available when operating the appliance.
- If the device is installed outdoors and is stowable, it shall be stowed away when no longer in use to protect it from damage. Wait until device has cooled before stowing.



### NOTE

- To minimize corrosion and prolong the life of the device ensure that you clean the device with a damp cloth and warm soapy water after it has been operated in areas close to salt water.
- High winds may negatively impact the performance.

## 3 Scope of delivery

- Cooktop
- Fastening screws (depending on the model)
- Test point
- SAE connector
- Additional rating label
- Installation and operating manual

## 4 Intended use

The liquefied gas cooktops in the following model series are intended for installation in a kitchen or worktop in caravans and motor caravans. They are not suitable for boat or marine usage.

The devices are also suitable for outdoor use. If the devices is stowable, ensure that it complies with all requirements for stowed appliances as found in AS/NZS 5601.2

The devices must only be used for cooking food. The device must **not** be used as a space heater.

This device shall be installed in accordance with the regulations in force and only used in a well ventilated space. Read the instructions before installing or using this device.

This product is only suitable for the intended purpose and application in accordance with these instructions.

This manual provides information that is necessary for proper installation and/or operation of the product. Poor installation and/or improper operation or maintenance will result in unsatisfactory performance and a possible failure.

The manufacturer accepts no liability for any injury or damage to the product resulting from:

- Incorrect installation, assembly or connection, including excess voltage
- Incorrect maintenance or use of spare parts other than original spare parts provided by the manufacturer
- Alterations to the product without express permission from the manufacturer
- Use for purposes other than those described in this manual

Dometic reserves the right to change product appearance and product specifications.

## 5 Technical description

### 5.1 Function

The device is equipped with an automatic flame monitoring device which automatically interrupts the gas supply after approx. 20 seconds if the flame goes out.

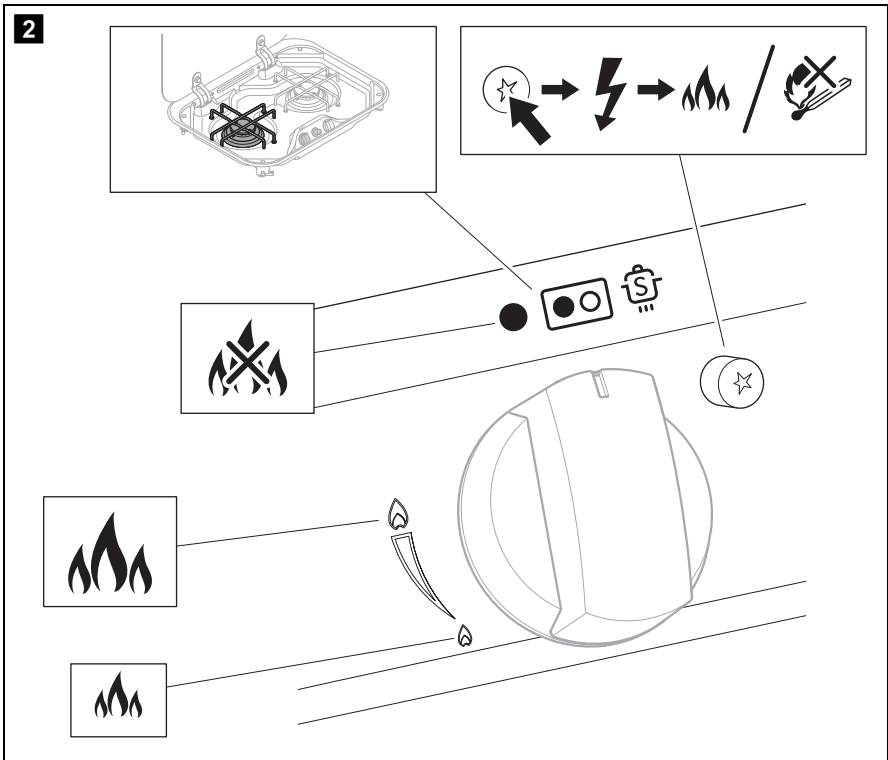
### 5.2 Specifications for the different models

The devices are available in different versions:

- **PI8022:** Cooktop with two burners and safety glass cover
- **PI8023:** Cooktop with three burners and safety glass cover
- **MO9722:** Combination with two burners, safety glass cover and a sink

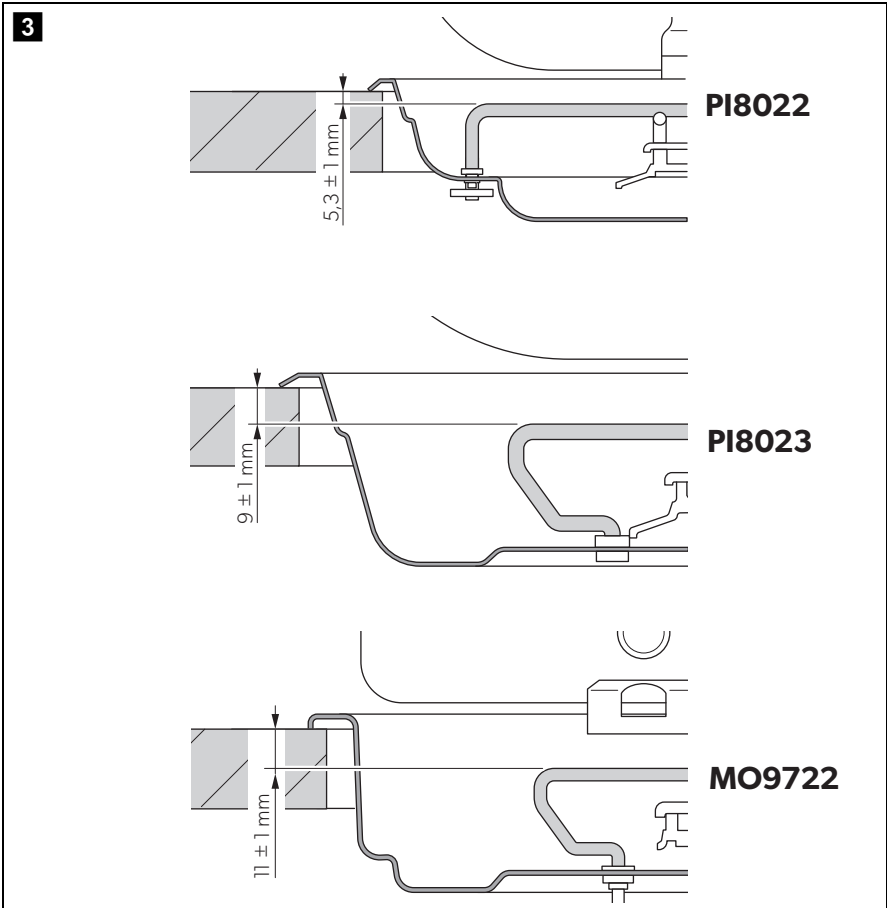
The safety glass cover can be used as a work surface when it is closed.

### 5.3 Control panel



| Icon in fig. 2 | Explanation                    |
|----------------|--------------------------------|
|                | Button for spark ignition      |
|                | Push button for spark ignition |
|                | Low flame                      |
|                | High flame                     |

### 5.4 Distance between pot grid and bench surface



## 6 Installing the device



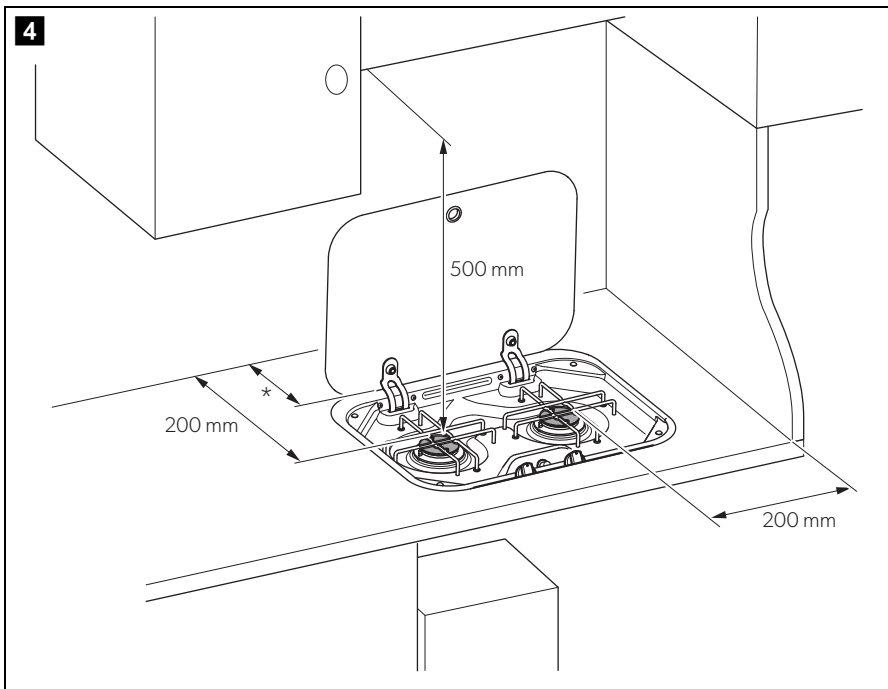
### WARNING!

Assembly and installation of the device must only be carried out by licensed gas fitters. Incorrect assembly and installation can result in serious hazards due to the escape of gas.

### 6.1 Selecting the installation location

When selecting the installation location, observe the following instructions:

- Make sure that minimum distances (fig. 4) are observed.



### NOTE

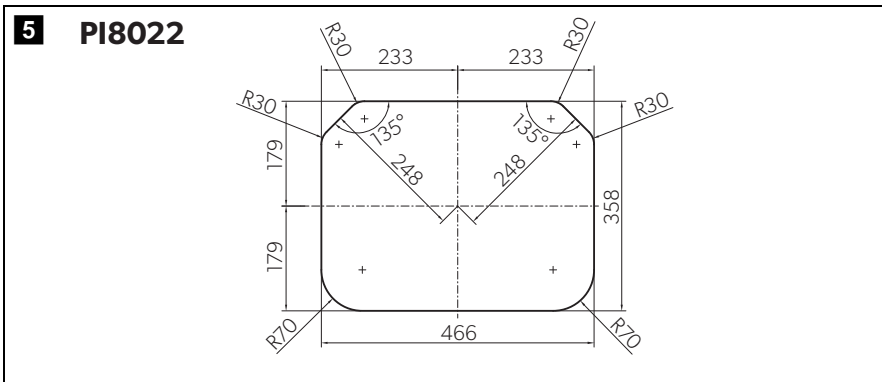
\* For PI8022 and PI8023 with glass lid the distance between the edge of the cooktop to the back wall can be reduced up to 0 mm.

- Ensure that there are no drafts at the installation location.

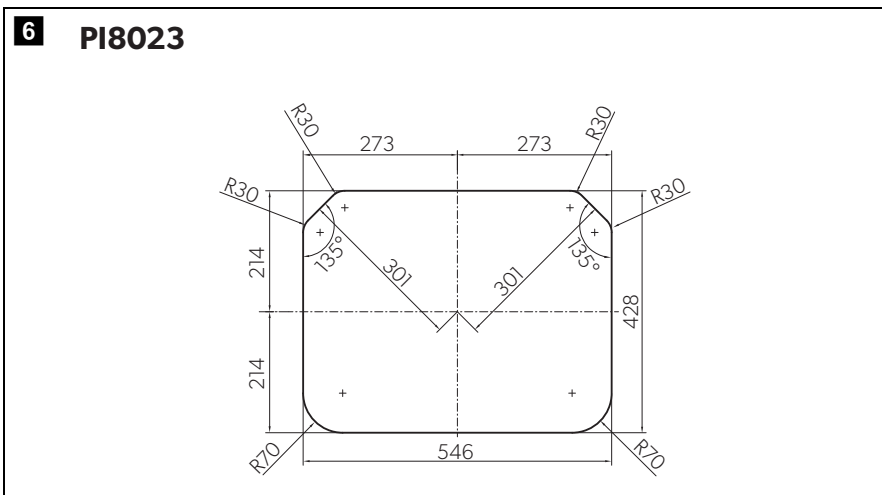
## 6.2 Installing the device

1. Create a cutout according to the installation drawing:

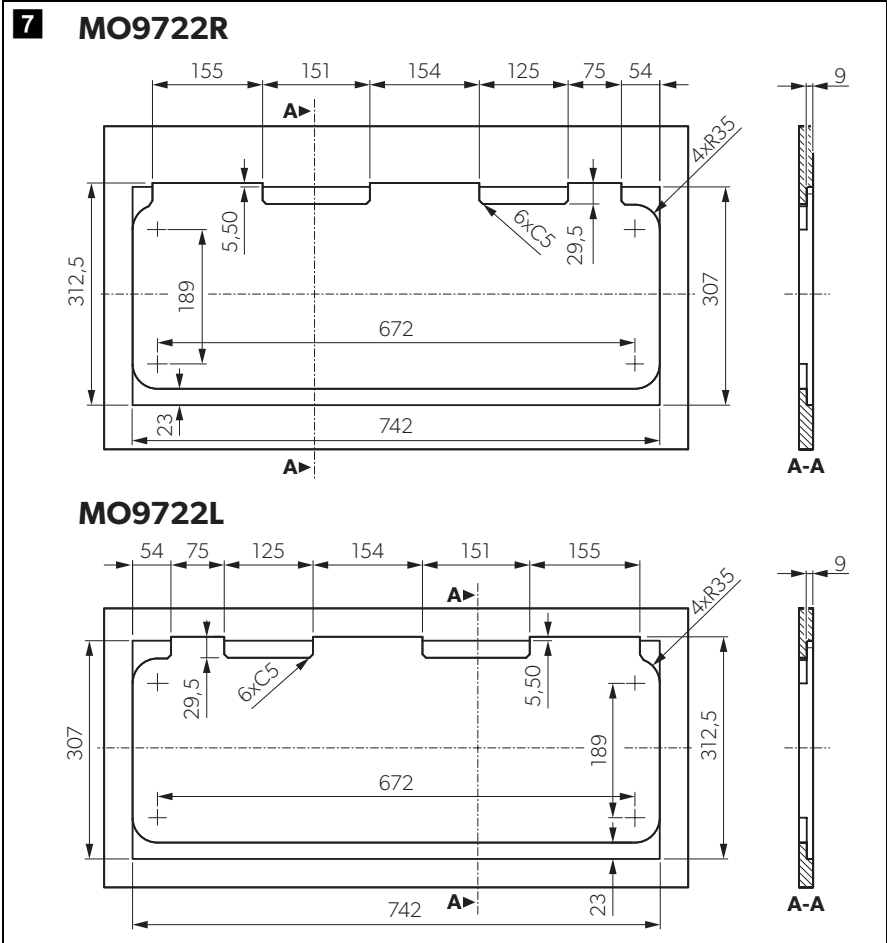
- PI8022: fig. **5**



- PI8023: fig. **6**

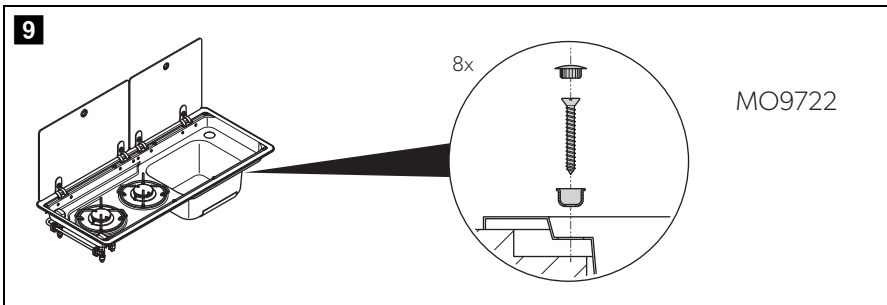
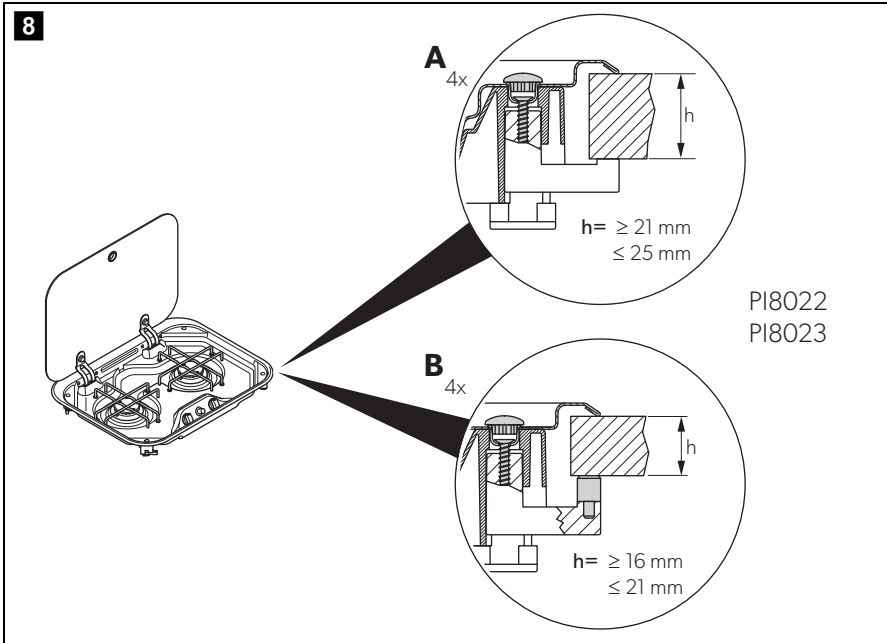


- MO9722: fig. 7



## 2. Affix the device to the worktop using the screws:

- PI8022, PI8023: fig. **8**
- MO9722: fig. **9**



## 3. Attach the additional rating label permanently and well visible to the device or an adjacent surface as required by the AS/NZS 5263.1.1-2.15.2.1.

### 6.3 Connecting the device to the gas supply

**WARNING! Beware of injury!**

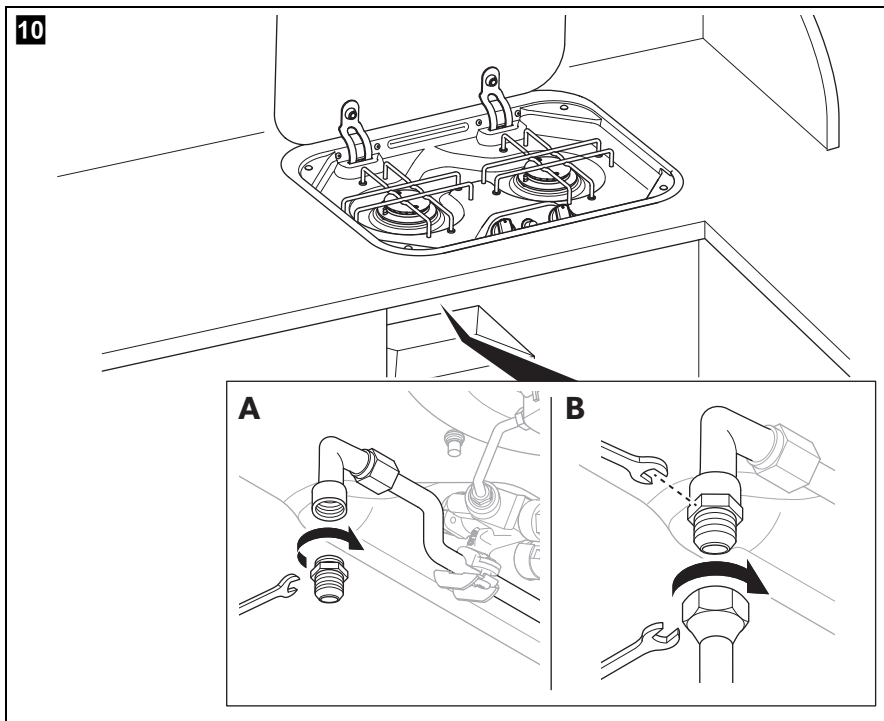
Only use LP gas cylinders with a certified pressure regulator. Compare the pressure information on the type plate with the pressure information on the regulator.

You must use a rigid gas line for the connection.

Observe the following instructions for the connection:

- Observe the national requirements.
- Fasten the gas line to the side or rear wall of the surrounding furniture parts so that no loads are placed on the actuators.
- The entire gas line must be free of stress.
- The connection of the gas pipe to the appliance must be made with a flared SAE nut and a flared copper pipe to suit the SAE 5/16" (1/2 - 20UNF) connection on the appliance.
- The pipe work and fittings shall be free from defects and of an approved type.

1. Screw in the SAE 5/16" connector (fig. **10**, **A**).
2. Align the flared end of the SAE nut with the flared end of the gas pipe and tighten the nut by hand until you feel resistance.
3. Hold the fitting in place with one open end wrench and tighten the SAE nut by another half turn with a second open end wrench (fig. **10**, **B**). Recommended torque: 12 – 15 Nm.



4. Open the gas supply.

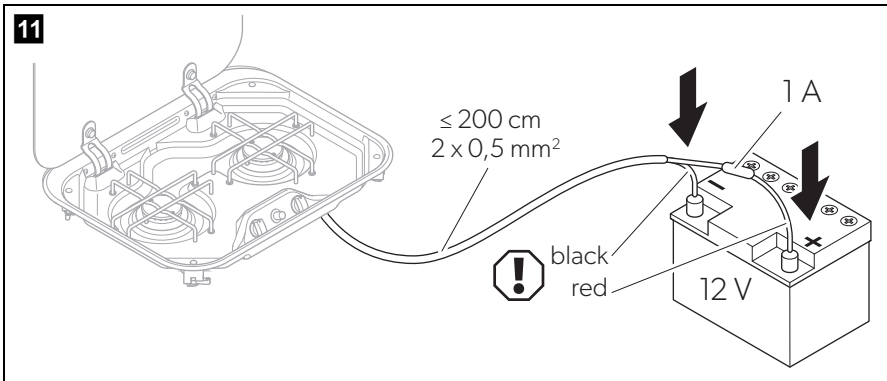
**WARNING! Beware of injury!**

Never check for leaks with an open flame or near sources of ignition.

5. Check all connections for leaks with leak spray or soapy water.  
There are no leaks if no bubbles form.

## 6.4 Connecting the device to the power supply (PI 8023)

1. Connect the device as shown (fig. **11**).



2. Add a 1 A fuse in the plus line near the battery.

## 6.5 Testing the device

1. Ignite all burners both individually and concurrently to ensure correct operation of gas valves, burners and ignition.
  2. Turn gas taps to low flame position and observe the stability of the flame for each burner individually and concurrently.
- ✓ Depending on the type of gas used, the appearance of the flame is as follows:
- Propane: Flame with blue center and well-defined contour
  - Butane: Flame with light yellow tips when igniting the burner, gradually intensifying as the burner heats
3. Ensure correct operation of the flame failure protection.



### CAUTION! Health hazard

In case the appliance fails to operate correctly after all checks have been carried out, shut off the gas supply at the main gas tap and contact an authorized service agent in your area.

When satisfied with the appliance, instruct the user on the correct method of operation.

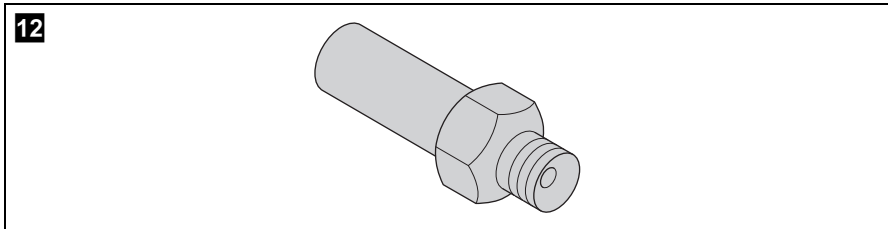
## Test point



### NOTICE! Damage hazard

The burner and its bottom are made of aluminum. The fixing screws are made of stainless steel. Do **not** loosen the screws in hot conditions as you may damage the screw hole of the aluminum components.

The test point is supplied loose with the device.



1. Remove one burner head and its injector.
2. Screw in the test point fitting.
3. Measure the pressure with the corresponding burner gas valve on high flame and with an inlet pressure of 2.75 kPa.

## 7 Using the device

### 7.1 Igniting a burner



### WARNING! Beware of injury!




The complete ignition process must be visible from above and must not be hidden by pots placed on the stove.

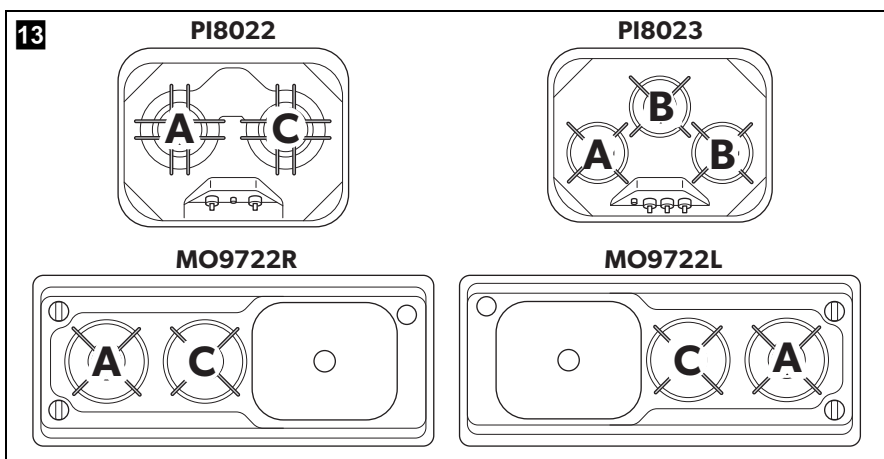


### NOTICE! Damage hazard

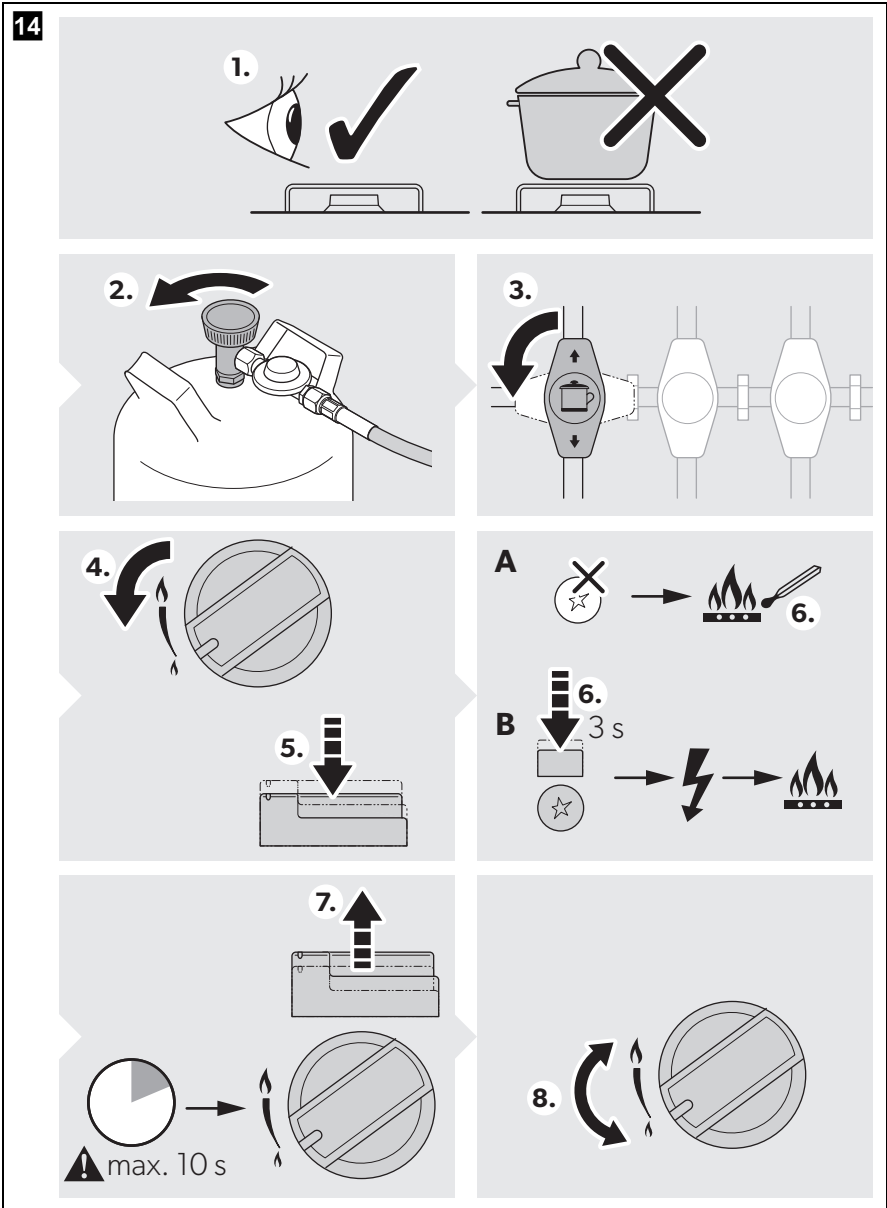
The flame must not extend beyond the edge of the pot. Centre the pot above the burner ensuring stability on the pot grid (see fig. **1**, page 6).

1. Choose a pot according to the following table:

| Burner (fig. 13) | Pot diameter |   |
|------------------|--------------|---|
| A                | 9 – 15 cm    |  |
| B                | 10 – 18 cm   |  |
| C                | 16 – 22 cm   |  |

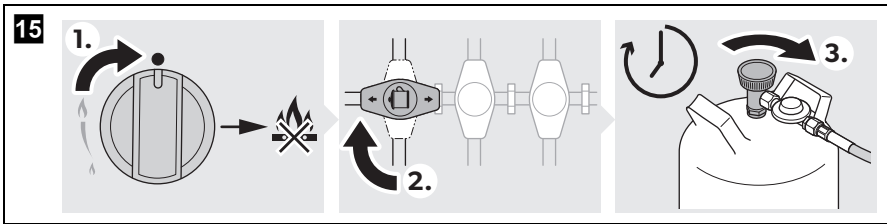


2. Ignite a burner as shown (fig. 14).



## 7.2 Switching off the device

► Switch off the device as shown (fig. 15).



## 7.3 Replacing the gas cylinder



### **WARNING! Beware of injury!**

Only replace the gas cylinder when there is good ventilation.

Make sure that there is no source of ignition nearby.

Only change the gas cylinder when the device is not in use and the gas supply to the device is switched off.

1. Switch the device off by turning the knob to the zero setting.
2. Close the valve on the gas cylinder.
3. Replace the gas cylinder according to the instructions from the gas fitting manufacturer.

## 8 Cleaning the device



### CAUTION! Hot surface

The surface may still be hot. Keep children away.

Let the device cool down to ambient temperature before you touch it with bare hands.



### NOTICE!

Do not use any sharp or hard objects for cleaning since they may damage the device.

Only use standard commercial cleaning agents.

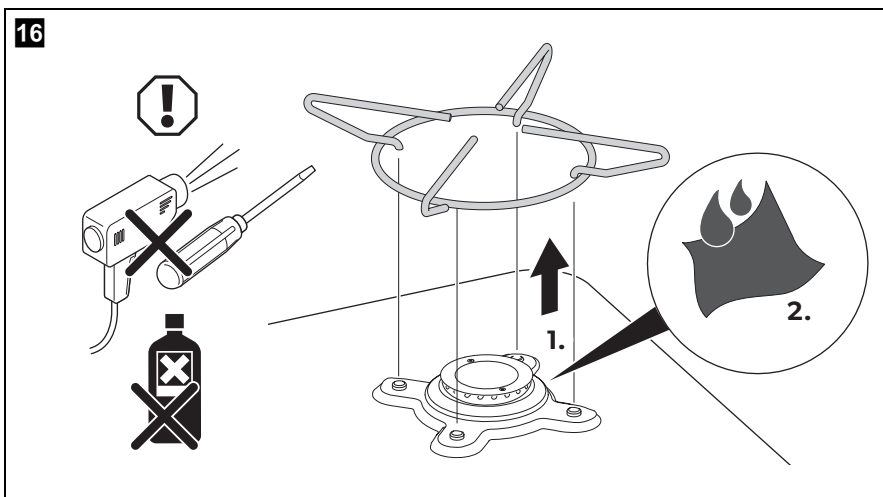
Do not use a steam cleaner to clean the device.



### NOTE

When cleaning pay special attention to the burner to ensure there are no blockages.

► Clean the device as shown (fig. **16**).



## **9 Maintaining the device**

### **9.1 Abnormal Operation**

Gas valves, which are difficult to turn are considered to be abnormal operation and may require servicing.

- ▶ In case the device fails to operate correctly, contact an authorized service agent in your area.

### **9.2 Annual safety check**

- ▶ For safety reasons and to ensure an optimal performance have the device checked by qualified personnel every year for proper function. Any defects must be repaired.

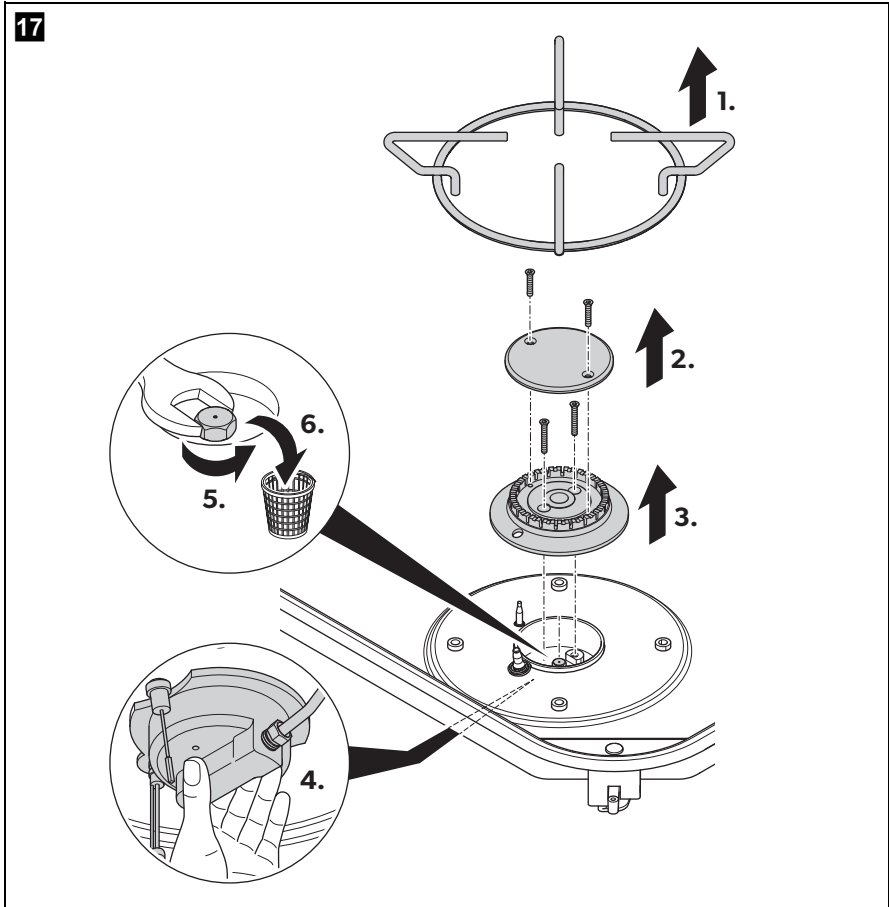
### 9.3 Replacing the injectors



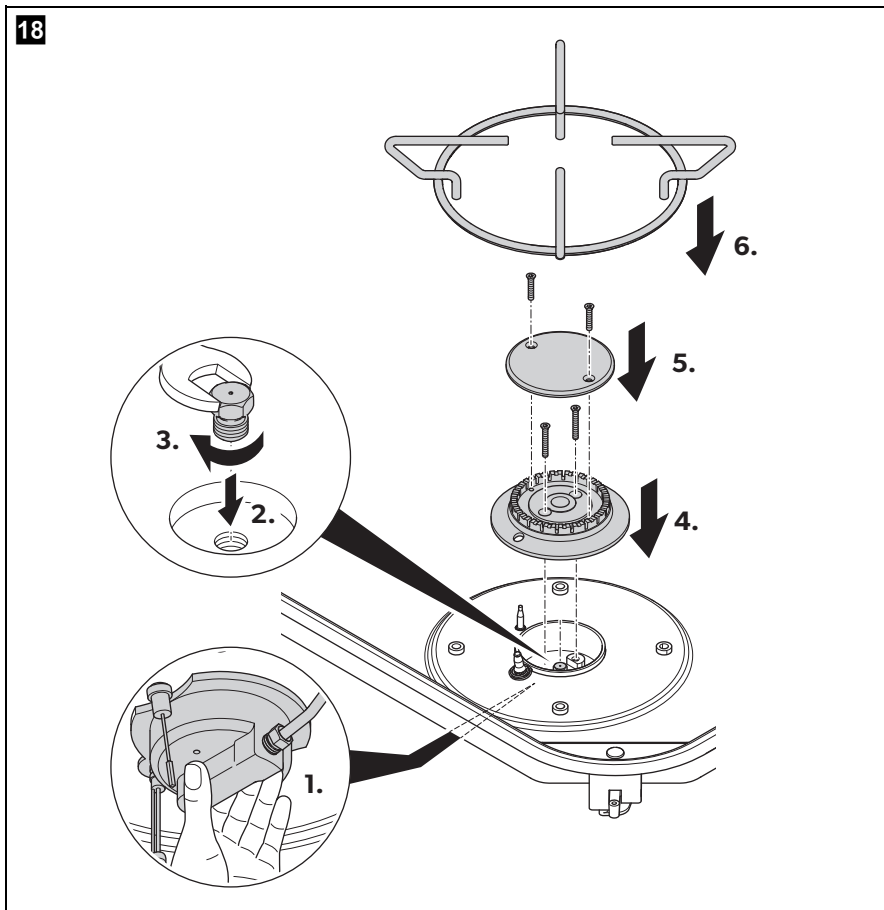
**WARNING! Beware of injury!**

The injectors must only be replaced by qualified personnel. Incorrect assembly and installation can result in serious hazards due to the escape of gas.

- Replace the injectors as shown:
  - Disassembly: fig. **17**



– Assembly: fig. **18**



# 10 Troubleshooting



**WARNING! Beware of injury!**

Servicing of the cooktop must only be done by an qualified personnel and the cooktop must not be modified. Power must be disconnected before any servicing or maintenance is conducted.

- ▶ Contact an authorized service agent if you observe one of the following abnormal conditions:
  - Excessively yellow or sooting flame type
  - Flame lifting off the burner ports
  - Flame lighting back into the burner (normally associated with a popping sound)
  - Objectionable odor of the flames combustion products

Should a faulty condition develop in the cooktop that is not described above, refer to the following table first for possible causes and remedies prior to contacting an authorized service representative.

| Fault   | Possible cause                              | Remedy   |
|---|---|--|
| No spark when button for spark ignition depressed | Spark ignition defective                    | Light burner manually.<br>Call authorized service agent.       |
| Burner not lighting when spark ignition working   | Gas supply off                              | Check if the gas supply valve is on.                           |
|   | Burner ports blocked                        | Remove, clean and replace burner.                              |
| Burner goes out when control knob is released     | Flame safeguard not activated               | Re-light, allow more time for the flame safeguard to activate. |
|   | Flame safeguard faulty connection or broken | Call authorized service agent.                                 |
| Uneven flame pattern or slight flame lifting      | Burner ports blocked                        | Remove, clean and replace burner.                              |
| At minimum flame setting the flame is too high    | Turn down control setting incorrect         | Call authorized service agent.                                 |

| <b>Fault</b>                   | <b>Possible cause</b>               | <b>Remedy</b>   |
|--------------------------------|-------------------------------------|---|
| Small flame on High setting    | Regulator faulty                    | Call authorized service agent.  |
|                                | Gas supply pressure low             | Call authorized service agent.  |
|                                | Incorrect injector fitted           | Call authorized service agent.  |
|                                | Blocked injector or gas supply tube | Call authorized service agent.  |
|                                | Incorrect cookware size             | Refer to operating instructions cookware size, see chapter "Operating the device safely" on page 5. |
| Flame too high on High setting | Regulator faulty                    | Call authorized service agent.  |
|                                | Incorrect injector fitted           | Call authorized service agent.  |
|                                | Incorrect cookware size             | Refer to operating instructions cookware size, see chapter "Operating the device safely" on page 5. |

## 11 Warranty

If the product does not work as it should, please contact your retailer or the manufacturer's branch in your country (see [dometic.com/dealer](http://dometic.com/dealer)). The warranty applicable to your product is 3 year(s).

For repair and warranty processing, please include the following documents when you send in the device:

- A copy of the receipt with purchasing date
- A reason for the claim or description of the fault

Note that self-repair or nonprofessional repair can have safety consequences and might void the warranty.

**Australia only**

Our goods come with guarantees that cannot be excluded under the Australian Consumer Law. You are entitled to a replacement or refund for a major failure and for compensation for any other reasonably foreseeable loss or damage. You are also entitled to have the goods repaired or replaced if the goods fail to be of acceptable quality and the failure does not amount to a major failure.

**New Zealand only**

This warranty policy is subject to the conditions and guarantees which are mandatory as implied by the Consumer Guarantees Act 1993(NZ).

**Local support**




Please find local support at the following link address: [dometic.com/dealer](https://dometic.com/dealer)

## 12 Disposal






- Place the packaging material in the appropriate recycling waste bins wherever possible.
- Consult a local recycling center or specialist dealer for details about how to dispose of the product in accordance with the applicable disposal regulations.
- The product can be disposed free of charge.

## 13 Technical data

|                              | <b>Cooktop</b>  |
|------------------------------|---|
| Gas category:                | ULPG  |
| Gas connecting pressure:     | 2.75 kPa  |
| Connection voltage (PI8023): | 12 V=== (1 A fuse)  |
| Inspection/certification:    |    |

See fig. **13**, page 19:

| Model                       | Burner A  |            | Burner B  |            | Burner C  |            |
|-----------------------------|--|------------|--|------------|--|------------|
|                             | Injector mm  | Power MJ/h | Injector mm  | Power MJ/h | Injector mm  | Power MJ/h |
| <b>PI8022</b>               | 0.57   | 4          | –  | –          | 0.74   | 6.5        |
| <b>PI8023</b>               | 0.57   | 4          | 0.69   | 5.8        | –  | –          |
| <b>MO9722L,<br/>MO9722R</b> | 0.54   | 4          | –  | –          | 0.70   | 6.5        |







---

**dometic.com**

---

**YOUR LOCAL  
DEALER**

**[dometic.com/dealer](https://dometic.com/dealer)**

**YOUR LOCAL  
SUPPORT**

**[dometic.com/contact](https://dometic.com/contact)**

**YOUR LOCAL  
SALES OFFICE**

**[dometic.com/sales-offices](https://dometic.com/sales-offices)**

---

A complete list of Dometic companies, which comprise the Dometic Group, can be found in the public filings of:  
**DOMETIC GROUP AB** Hemvärnsgatan 15 SE-17154 Solna Sweden