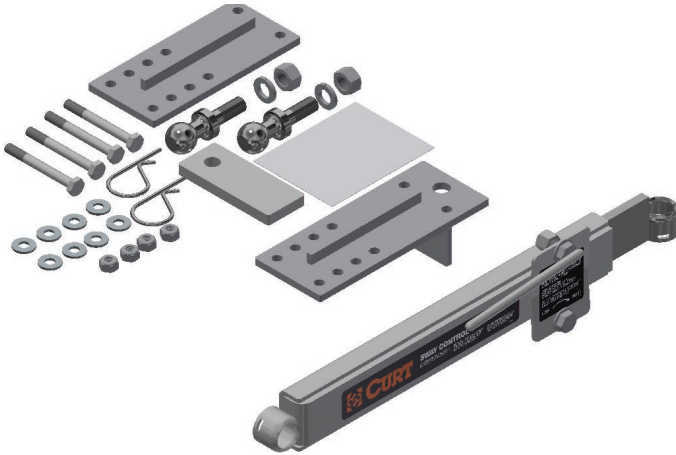


INSTALLATION INSTRUCTIONS

WARNING: NEVER EXCEED YOUR VEHICLE MANUFACTURER'S RECOMMENDED TOWING CAPACITY

SWAY CONTROL KIT



INSTALLATION & OPERATION

Hook up the trailer to the tow vehicle. Lubricate the threads on the handle with a drop of oil. Attach the socket on the slide bar to the sway control ball on the ball mount. Secure in place using a spring clip. Turn the on / off handle three turns counterclockwise to release tension. Place the main body socket onto the trailer-mounted attachment ball. Secure in place using a spring clip.

Turning the on / off handle clockwise, tighten firmly until the handle is parallel with the main body. With a second person watching the sway control and trailer, slowly back the trailer in both directions into a jackknife position. Check that the sway control does not hit the bumper or trailer frame and that it does not become fully compressed or come apart. If any of these occur when jackknifed, the sway control must be removed while backing.

Road and weather conditions, load and design of the trailer, power steering, wheel alignment, and the oscillation point of the tow vehicle and trailer all affect towing characteristics. Starting with the factory preset tension, road test the sway control. If this is not enough sway control, then adjust the break tension screw 1/4 turn clockwise. Road test again and repeat (if necessary) until proper sway control is achieved. Larger or heavier trailers or broad-sided trailers may require the use of two sway control units. After a 1600 kilometer break-in period, remove the slide bar and clean it using a wire brush or steel wool. The slide bar should then be cleaned every 16,000 kilometers.

WARNINGS

Towing a trailer changes the handling characteristics of the tow vehicle.

Short wheel base vehicles may induce sway when towing a trailer. Use extreme caution.

Never paint or lubricate the slide bar.

Any welding should be done by a qualified welding shop.

The sway control cannot be used on trailers with surge brakes. Do not speed up if sway occurs; sway increases with speed. If sway continues, stop the vehicle and inspect all towing equipment until the cause has been determined and corrected.

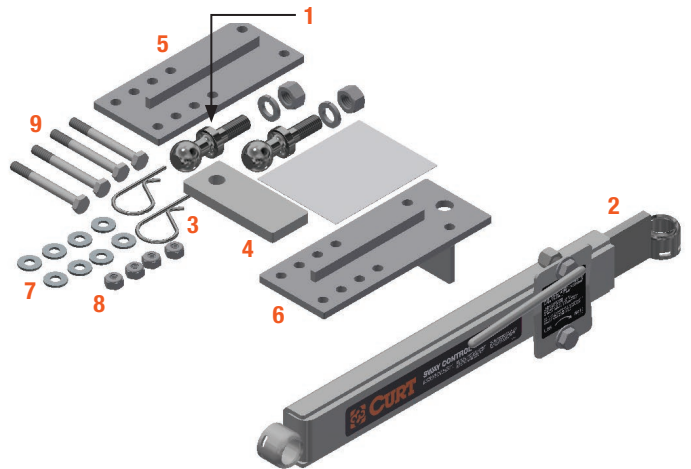
Trailers should be loaded with heavy items on the floor, in front of the axle. The load should be balanced side to side.

Tongue weight should be 10-15% of gross trailer weight for most trailers. Insufficient tongue weight or tail-heavy trailers can cause sway.

When towing in slippery conditions, such as wet, icy, gravel or snow covered roads, the sway control must be removed.

PARTS LIST

Item#	Qty	Description
1	2	Sway control trailer ball (CURT# 40093)
2	1	Sway control (CURT# 17200)
3	2	Clips
4	1	Weld-on sway tab (CURT# 45822)
5	1	Chassis mount loose plate
6	1	Chassis mount plate
7	8	Flat washer, M10
8	4	Nylock nut, M10x1.5
9	4	Hex bolt, M10 x 1.5, 90mm, cl8.8



ASSEMBLY

Step 1

Most weight distributing ball mounts come equipped with a sway control ball plate attached. If so, attach the sway control ball (#1) to the ball mount using the hole provided. If no sway control ball hole is provided, then use the weld-on sway tab (#4) provided and weld to the ball mount as shown in Figure 1.

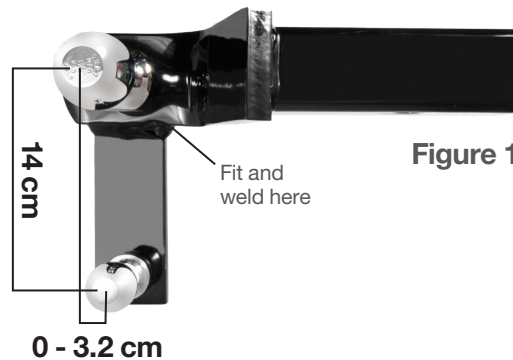


Figure 1

Step 2

Measure 610mm straight back from the center of the coupler to the right side of the trailer frame to determine the location of the bolt on fitting kit. The trailer-mounted attachment ball must be centered on the 610mm measurement.

Step 3

Insert a sway control trailer ball (#1) through hole in chassis mount plate (#6). Place chassis mount plate over trailer frame with loose plate (#5) on the opposite side. Place one flat washer (#7) on each bolt then insert hex bolts (#9) through plate and secure with flat washer and nylock nut (#8). Tighten nuts to 43.4 Nm. See Figure 3.

Step 4

Secure sway control (#2) to sway control trailer ball using clips (#3). See Figure 2

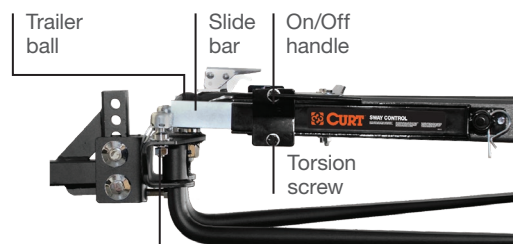


Figure 2

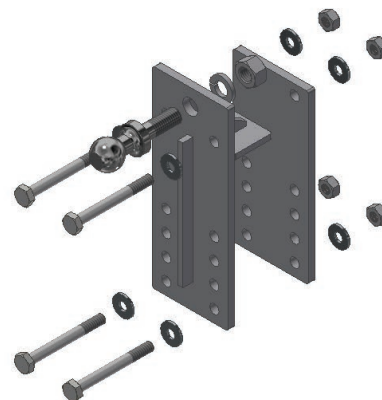


Figure 3

AUSTRALIA WARRANTY POLICY

Australia's Consumer Law

Our goods come with guarantees that cannot be excluded under the Australian consumer law. You are entitled to a replacement or refund for a major failure and compensation for any other reasonably foreseeable loss or damage. You are also entitled to have the goods repaired or replaced if the goods fail to be of acceptable quality and the failure does not amount to a major failure.

Product Warranty Coverage

CURT Products purchased from an authorized CURT dealer or retailer are warranted to be free from defects in factory workmanship and materials for one (1) year from the date of installation. The installation date will be determined based on the invoice or receipt provided to you. This warranty applies only to the original installation, and does not apply to any products which are re-installed on a different vehicle. This warranty applies only to products sold to retail purchasers in Australia and New Zealand, and different warranty policies may apply to retail purchasers in other countries.

Product Registration

You can register your CURT Product online at <https://www.curtmfg.com.au/registration>.

Although product registration is not necessary to make a claim under this warranty, it may assist in processing any claim which you may make, and will also allow you to provide feedback on your CURT product.

Warranty Exclusions

CURT does not provide warranty coverage on claims arising from wear and tear from (1) normal use; (2) improper product selection, application or maintenance; (3) modifications, including the attachment of other hardware or components, (4) any improper use, abuse, or failure to follow the product instructions, or (5) claims which are first made after the one (1) year warranty period has expired (although you may have statutory rights outside of the warranty period). Warranty coverage only applies to products purchased from an authorized CURT dealer or retailer.

Remedies for Product Defects

If a warranted defect occurs CURT will repair or replace the product (or correct any software defects), or refund the purchase price. The cost of delivery and insurance of returning the Products for repairs or replacement, are your (the customer's) sole responsibility. If you believe you are entitled to reimbursement for any expenses incurred, please contact CURT at the address below.

Contact Information For CURT Product Warranty Issues

You must make a claim to receive any remedy under this warranty. To make a claim or inquiry about this warranty, you should contact the dealer or retailer you purchased the product from. You may also contact us at:
CURT Manufacturing, 6208 Industrial Drive, Eau Claire, Wisconsin USA 54702
+1-877-287-8634, 7am – 7pm (U.S. Central Time)
techsupport@curtgroup.com.au
www.curtmfg.com.au

The remedies provided to you under this warranty are in addition to other rights and remedies that may be available to you under Australian law.