



SERVICE MANUAL

MANUALLY OPERATED PATIO AWNING

*FIESTA, FIESTA HD, FIESTA LITE,
SPIRITFX AND SIMPLICITY AWNINGS*

RV



Read this manual before installing or using this product. Failure to follow the instructions and safety precautions in this manual can result in personal injury and/or cause the product to not operate properly.

For LED replacement parts and service procedures refer to 052584-301 “LED Service Manual for Vertical Arms” available on-line



These instructions apply to all models listed. Details and procedures unique to a specific model are labeled appropriately. For optional equipment, refer to the instructions included with the option.

052876-301r5

Printed in USA

February, 2017

TABLE OF CONTENTS

Product Overview	1
Canopy Replacement	1
Removing the Old Canopy	2
Installing the New Canopy	2
Positioning the Canopy:	3
Installing the Tractioners	5
Spring Replacement	5
Replacing the Left Spring Assembly	6
Replacing the Right Spring Assembly	6
Spring Wind Chart	7
Remote Lock Replacement (Spirit and Fiesta)	8
Remote Lock Replacement (Fiesta HD)	8
Replacing the Travel Locks	10
Standard Maintenance	11
Fabric Care	11
Mildew	11
Pooling	11
Leaking	11
Arm Care	11
Hardware Maintenance	12
Part Number Listing	12
Part Number/Serial Number Location	12
Spirit FX and Fiesta Illustrated Parts List	12
Fiesta HD Illustrated Parts List	15
Simplicity Illustrated Parts List	17
Fiesta Lite Illustrated Parts List	18

PROPRIETARY STATEMENT

The manual Patio Awning is a product of Carefree of Colorado, located in Broomfield, Colorado, USA. The information contained in or disclosed in this document is considered proprietary to Carefree of Colorado. Every effort has been made to ensure that the information presented in the document is accurate and complete. However, Carefree of Colorado assumes no liability for errors or for any damages that result from the use of this document.

The information contained in this manual pertains to the current configuration of the models listed on the title page. Earlier model configurations may differ from the information given. Carefree of Colorado reserves the right to cancel, change, alter or add any parts and assemblies, described in this manual, without prior notice.

Carefree of Colorado agrees to allow the reproduction of this document for use with Carefree of Colorado products only. Any other reproduction or translation of this document in whole or part is strictly prohibited without prior written approval from Carefree of Colorado.

SAFETY INFORMATION

This is the safety alert symbol. It is used to alert individuals to potential personal injury hazards. Obey all safety messages that follow this symbol to avoid possible personal injury or death.



Indicates a hazardous situation, which if not avoided, could result in death or serious bodily injury.



Indicates a hazardous situation, which if moderate bodily injury, not avoided, may result in minor or



Indicates a situation that may result in equipment-related damage.

General Safety:



Shock Hazard. Always disconnect battery or power source before working on or around the electrical system.



Always wear appropriate safety equipment (i.e. goggles).



Always use appropriate lifting devices and/or helpers when lifting or holding heavy objects.



When using fasteners, do not over tighten. Soft materials such as fiberglass and aluminum can be "stripped out" and lose the ability to grip and hold.

CALIFORNIA PROPOSITION 65



This product contains chemicals known to the state of California to cause cancer or birth defects or other reproductive harm. California's Proposition 65 requires this warning to be given to customers in the state of California.

REFERENCE PUBLICATIONS LOCATED @ www.carefreeofcolorado.com:

- 052876-005 Patio Awning Installation Manual
- 052876-201 Patio Awning Owner's Manual
- 052876-301 Patio Awning Service Manual
- 052579-001 Fiesta Lite Awning Installation Manual
- 052579-201 Fiesta Lite Owner's Manual

PRODUCT OVERVIEW

Carefree’s line of traditional manual awnings provides the RV owner with choices of multiple fabrics and options while having some of the strongest and longest lasting hardware in the industry.

- x **Fiesta** – The adjustable arms allow the user to adjust the pitch of the awning or can be placed in the carport position when desired. Additional refinements include a remote lock, storage travel locks and canopy clamps to help tension the fabric.
- x **Fiesta HD** – This upgrade of the standard Fiesta includes metal hardware for remote lock, storage travel locks and canopy clamps.
- x **Fiesta Lite** – The adjustable arms allow the user to adjust the pitch of the awning or can be placed in the carport position when desired. Additional refinements include a remote lock and storage travel straps and canopy clamps to help tension the fabric. The Fiesta Lite has 16% less weight than the Fiesta (weight comparison based on 14' model, other sizes may vary).

Additional fabrics available with Weatherguard FLXguard or Alumaguard (Fiesta Only) are available.

NOTE: The Simplicity and Spirit FX Models have been discontinued as of January, 2013. These products are no longer available for new product installation. References to the Spirit and Simplicity are for service only.

<u>FEATURES AVAILABLE</u>	<u>BRAKE LEVER EXTENSION CLAMP</u>	<u>ARM TRAVEL LOCK LENGTHS</u>	<u>ROLLER TUBE RELEASE</u>	<u>CANOPY METHOD</u>	<u>SERIES</u>
1					
Fiesta 8' 1 8' to 25' Remote Lock Storage Lock 3.5" (4-slot) Standard Fiesta Lite 8' 10' to 21' Remote Lock Arm Strap 3.5" (4-slot) n/a					

HARDWARE COLOR:

White w/ White Castings; Black w/ Black Castings; Satin w/ Black Castings (Fiesta Only)

FABRIC OPTIONS 2

VINYL W/ WEATHERGUARD, FLXGUARD OR ALUMAGUARD ACRYLIC W/ FLXGUARD OR ALUMAGUARD

ADDITIONAL OPTIONS 2

LED LIGHTING TIE DOWN STRAPS CURVED HARDWARE 5 CENTER RAFTER 3,4 ADD-A-ROOM 3,4

- Notes:
1. Optional Hi-Lo Awnings have an extension of 6' 6".
 2. Some options may not be available through Original Equipment Manufacturer Installations.
 3. Consult the sales and order information for specific application availability.
 4. Options are ordered separately.
 5. Curved Hardware is not available for Simplicity or Fiesta Lite. Limited styles for Spirit/Fiesta.

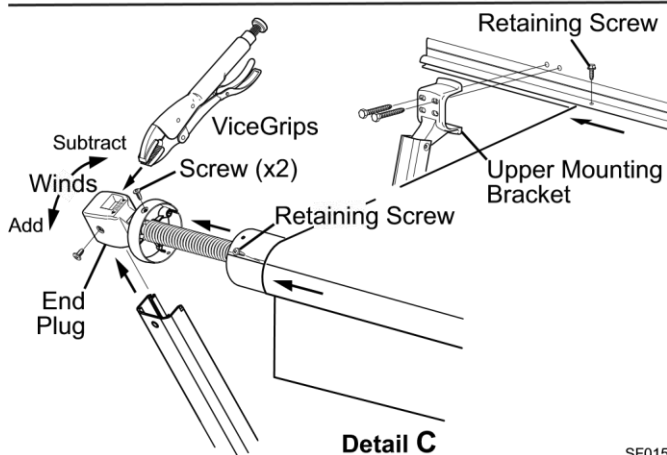
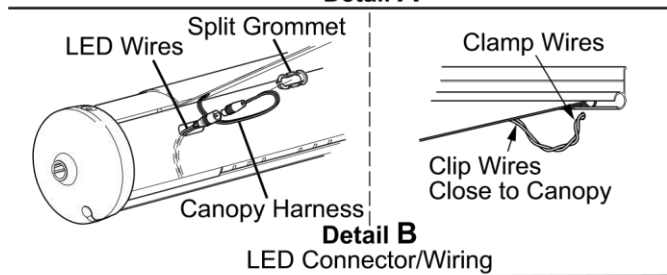
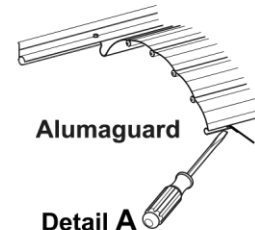
CANOPY REPLACEMENT



This procedure requires working with the roller springs. When removed from the arm, the spring is under extreme tension and will unwind quickly. Keep hands and clothing clear while FIRMLY holding the vice grips! Do not try to hold the end plug by hand. Failure to follow the instructions can result in personal injury and property damage.

REMOVING THE OLD CANOPY

1. Remove the fabric retaining screws located in the roller tube and the awning rail (4 in total). Set screws aside.
2. Extend the awning out completely.
3. On the right side, lift and lock the upper brace in position. Tape the roller lock in the OPEN position.
4. Remove the fabric retaining screws in the roller tube.
5. *For full fabric canopy with Weatherguard or FLXguard or canopies complete with Alumaguard:* Remove the fabric retaining screws from the awning rail.
6. *(Detail A) For canopy only replacement for units with Alumaguard.* The fabric is crimped into the aluminum slat. Use a large flat screw driver or similar tool to spread open the crimp on both sides of the fabric.
7. *(Detail B) For awnings with LEDs:*
 - 7.1. Remove the split grommet in the roller tube.
 - 7.2. Carefully pull out the LED harness connectors. Use care that the connectors do not separate while pulling out of the slot.
 - 7.3. Disconnect the harness connectors.
 - 7.4. Clamp or tape the wire and connector from the LED strip so that it does not slip back into the roller tube.
 - 7.5. At the awning rail, clip the harness close to the canopy. Clamp the harness to prevent it from falling inside the wall.
8. On the left side of the awning, remove the upper mounting bracket from the coach wall. Allow the brace to pivot out of the way.
9. On the left arm, grasp the end plug firmly with vice grips. Pad the grip teeth to prevent damage or marring on the end plug.
10. Remove the attaching screw and remove the end plug from the arm while firmly holding onto the vice grips.
11. Hold onto the arm and move it out of the way when the end plug is removed.
12. Support the roller tube.
13. Carefully count the number of turns while unwinding the spring. To unwind, rotate the end plug over the top and towards the coach.
14. Remove the screws attaching the end cap to the roller tube.
15. Remove the spring from the roller tube and set aside.
16. Mark the slots that the canopy is mounted in then slide the old canopy out from the roller tube and awning rail.



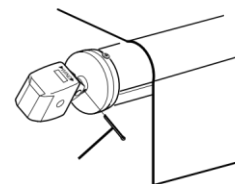
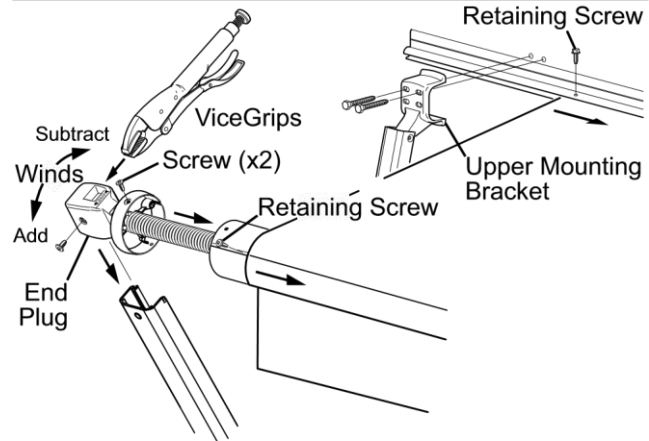
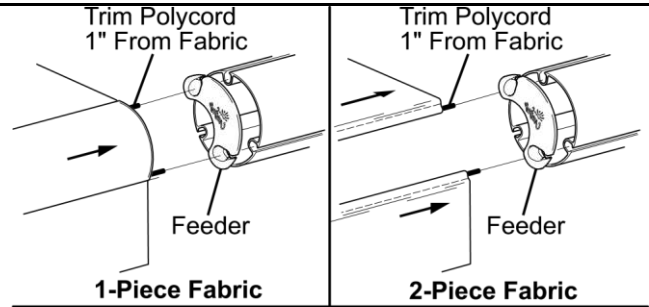
SF015

INSTALLING THE NEW CANOPY

1. Clean and deburr the roller tube slots and awning rail/Alumaguard as required. If not previously done, spread open the awning rail track to facilitate inserting the new fabric.

Tip: Lightly spraying the slots with a dry silicone lubricant will help the fabric slide into the slot without staining the material.

2. Position the fabric feeders on the roller tube. Be sure to use the same slots as the old canopy.
3. Slide the new canopy into the awning rail and roller tube simultaneously.
 - 3.1. For a one piece canopy it will be necessary to slide the canopy and valance at the same time.
 - 3.2. For two piece replacements, slide the canopy in first then slide the valance in the second slot.
4. Remove the feeders.
5. Attach the upper mounting bracket to the coach.
6. Slide the spring into the roller tube. Align the end cap on the roller tube then press onto the roller tube completely. The roller tube should bottom out inside the cap.
7. Attach the end cap to the roller tube with the screws removed previously.
8. Grasp the end plug with vice grips and turn the spring to add winds. To wind, rotate the end plug over the top and away from the vehicle. One complete turn equals one wind. The number of turns must equal the same as the number removed previously.
9. Temporarily insert a cotter pin through the cap and spring.
10. Slide the end plug over arm channel. Align the holes and secure using the screw removed previously.



Spring
Lock Pin

SF015b

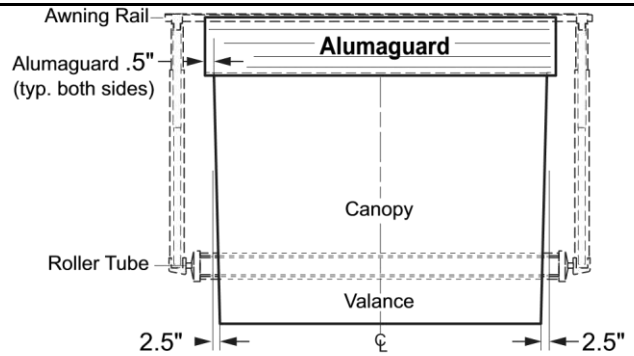
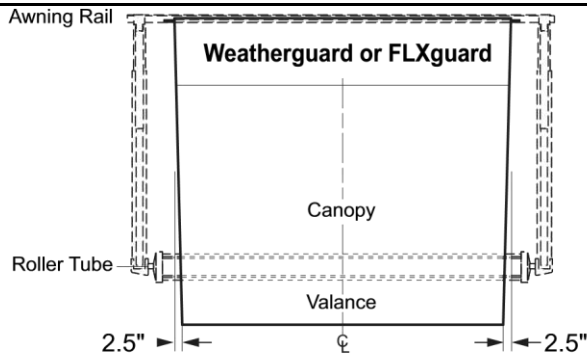
Positioning the Canopy:

11. Alumaguard applications:

- 11.1. The Alumaguard should be centered between the arms.
- 11.2. Center the fabric in the Alumaguard. Once positioned, use a pair of side cutters or similar tool and crimp the aluminum over the polyrod. Use care to not bend or distort the aluminum slats.

12. FLXguard and Weatherguard: Center the fabric in the awning rail between the arms.

13. Replacement canopies are flared (tapered) on both sides. Center the fabric on the roller tube. Install the fabric retaining screws outside the fabric through the polyrod and into the roller tube.

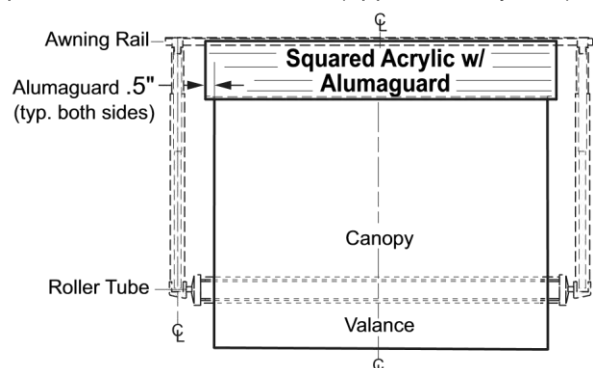
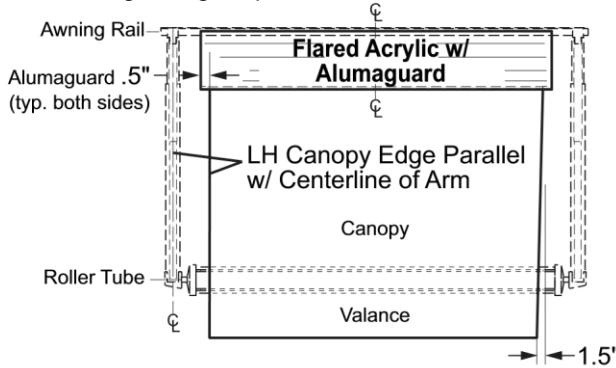


Dimensions are approximate and may vary based on installation and fabric tolerances.

CA010a

Current Replacement Fabrics

NOTE: Previous acrylic canopies with LEDs were flared only on the right side. If servicing an awning and not replacing the canopy, the LH edge of the canopy should be parallel to the centerline of the LH arm leaving a larger space between the roller tube end cap and fabric on the RH side (approximately 1.5").

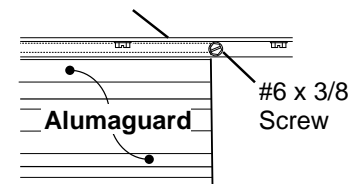
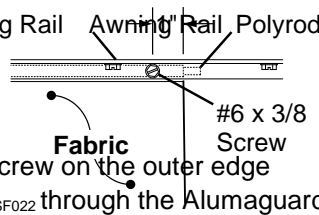


Dimensions are approximate and may vary based on installation and fabric tolerances. CA010b

Previous

Acrylic Replacement Fabrics

14. Remove the cotter pin and tape from the roller lock then release the brace(s).
15. Slowly roll up the awning and observe that the braces and arms nestle together correctly. If necessary, loosen the screws holding the upper mounting bracket then use the slots in the bracket to adjust the brace position so that the brace and arm nestle together properly.
16. Tighten the upper mounting bracket screws.
17. Extend and retract the awning to confirm that the canopy is rolling up straight. Then secure the fabric in the awning rail using the fabric retaining screws removed previously.
 - 17.1. For vinyl awnings, place screw A wning Rail Awning Rail Polyrod through awning rail, polyrod and canopy approximately 1" in from the end of the fabric.
 - 17.2. For Alumaguard awnings, place screw on the outer edge of the Alumaguard (not SF022 through the Alumaguard).



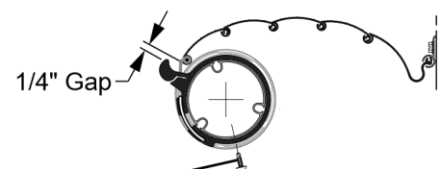
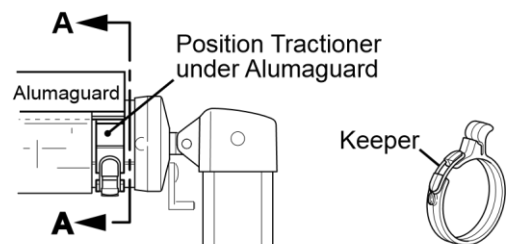
18. The roller tube screws go into the slot and through the polycord on the outside edge of the fabric.
19. For awnings with LEDs in the roller tube:
 - 19.1. Connect the canopy harness connector and LED connector. Then carefully push the connectors into the roller tube.
 - 19.2. Place the split grommet around the canopy harness and press the grommet into the roller tube hole.
 - 19.3. If the canopy has a metal wrap, attach the wire to the inside of the wrap (see page) then proceed with the next step.

- 19.4. At the vehicle wall, route the new canopy harness through the wall to the switch.
Tip: Tie the new harness to the old harness that was cut previously. Use the old harness to pull the new harness through the wall to the desired location.
- 19.5. At the vehicle wall, provide a 3" loop of harness between the canopy and wall. Seal the wall entrance hole and harness with a quality silicone sealant.
- 19.6. Connect the new harness to the switch. Two (2) .187, 18-24 awg female disconnects are provided if connecting to a switch.
- 19.7. Alternate method: At the wall, splice the new harness to the existing harness using 24 awg butt connectors. Push the connectors into the vehicle wall. Seal the wall entrance hole and wires with a quality silicone sealant.
- NOTE:** Be sure to allow enough harness from the canopy to provide a 3" loop of harness and adequate length for the connectors to be pushed inside the wall before sealing the hole and harness with a quality silicone sealant.

INSTALLING THE TRACTIONERS

The tractioners are used with Alumaguard.

- Partially extend the awning until the Alumaguard is extended as shown.
- Unlock the keeper and wrap the tractioner around the roller tube.
- Position the tractioner under the Alumaguard with a 1/4" gap between Alumaguard and tractioner. Lock the keeper.
- Repeat for the other end of the roller tube.
- Extend the awning to verify that the tractioners are lifting the metal wrap up and over the roller assembly.
- To secure the tractioner, drill a 1/8" hole through the tractioner and roller tube, roughly center the hole between two slots of the roller tube.
- Secure with one (1) #10 square drive screw.



Place Screw Between
Slots on Roller **View A-A**

SF023

SPRING REPLACEMENT



This procedure requires working with the roller springs. When removed from

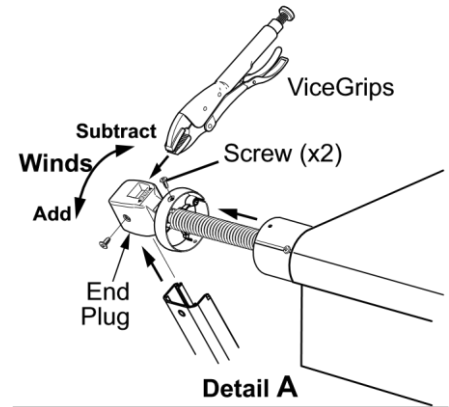
the arm, the spring is under extreme tension and will unwind quickly. Keep hands and clothing clear while FIRMLY holding the vice grips! Do not try to hold the end plug by hand. Failure to follow the instructions can result in personal injury and property damage.

REPLACING THE LEFT SPRING ASSEMBLY

1. Extend the awning out completely.
2. On the right side, lift and lock the upper brace in position. Tape the roller lock in the OPEN position.
3. On the left arm, grasp the end plug firmly with vice grips. Pad the grip teeth to prevent damage or marring on the end plug.
4. Remove the attaching screw and remove the end plug from the arm while firmly holding onto the vice grips.
 - x It will be necessary to hold onto the arm and move it out of the way when the end plug is removed.
 - x It will be necessary to support or hold the roller tube during the rest of the procedures.
5. Unwind the spring. To unwind, rotate the end plug over the top and towards the coach.



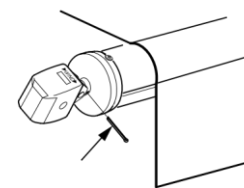
CAUTION A broken spring can still retain winds under tension.



Detail A

6. Remove the screws attaching the end cap to the roller tube. Set screws aside.
7. Remove the spring from the roller tube and set aside.
8. Slide the new spring into the roller tube. Align the end cap on the roller tube then press onto the roller tube completely. The roller Spring

tube should bottom out inside the cap.



Lock Pin Detail B

SF017

9. Attach the end cap to the roller tube with the screws removed previously.
10. Grasp the end plug with vice grips and turn the spring to add winds. To wind, rotate the end plug over the top and away from the coach. One complete turn equals one wind. Use the spring wind chart on page 8 for the correct number of winds.
11. Temporarily insert a cotter pin through the cap and spring (refer to Detail B).
12. Slide the end plug over arm channel. Align the holes and secure using one (1) 1/4-20 x 7/16 Quadrex Drive screw.
13. Remove the cotter pin and tape from the roller lock then release the upper brace.
14. Slowly roll up the awning and observe that the braces and arms nestle together correctly. If necessary, loosen the screws holding the upper mounting bracket then use the slots in the bracket to adjust the brace position so that the brace and arm nestle together properly.

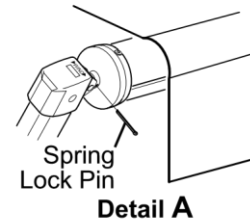
REPLACING THE RIGHT SPRING ASSEMBLY



CAUTION This procedure requires working with the roller springs. When removed from the arm, the spring is under extreme tension and will unwind quickly. Keep hands and clothing clear while FIRMLY holding the vice grips! Do not try to hold the end plug by hand. Failure to follow the instructions can result in personal injury and property damage.

1. Extend the awning out completely.

2. On the left side, lift and lock the upper brace in position. Insert a cotter pin through the cap and spring (Detail A).
3. On the right arm, grasp the end plug firmly with vice grips. Pad the grip teeth to prevent damage or marring on the end plug.
4. Remove the attaching screw and remove the end plug from the arm while firmly holding onto the vice grips.
 - x It will be necessary to hold onto the arm and move it out of the way when the end plug is removed.
 - x It will be necessary to support or hold the roller tube during the rest of the procedures.

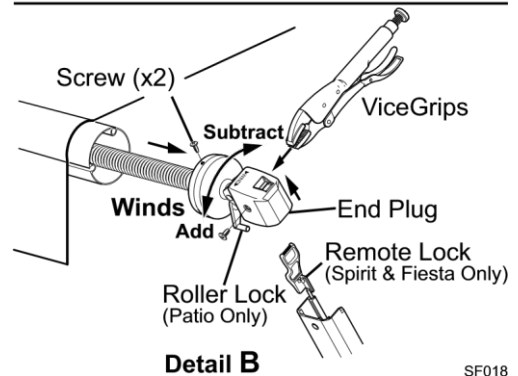


5. Place the roller lock in the CLOSE position then unwind the spring. To unwind, rotate the end plug over the top and towards the coach.



CAUTION A broken spring can still retain winds under tension.

6. Remove the screws attaching the end cap to the roller tube. Set screws aside.
7. Remove the spring from the roller tube and set aside.

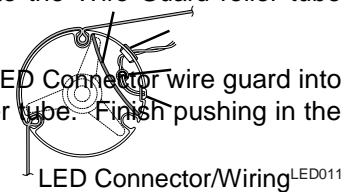


SF018

NOTE: For patio awnings with LED: Partially pull the spring out. Slide the wire guard out from the roller tube and hold the LED wires out of the way. Finish pulling out the spring.

8. Slide the new spring into the roller tube. Align the end cap then press onto the Wire Guard roller tube completely. The roller tube should bottom out inside the cap. Grommet

NOTE: For patio awnings with LED: Partially push the spring in. Slide the LED Connector wire guard into the roller tube and tuck the LED wires between the guard LED Strip and roller tube. Finish pushing in the spring.



9. Attach the end cap to the roller tube with the screws removed previously.
10. Place the roller lock in the OPEN position then grasp the end plug with vice grips and turn the spring to add winds. To wind, rotate the end plug over the top and away from the coach. One complete turn equals one wind. Use the chart on page 8 for the correct number of winds.
 1. For *Simplicity* Slide the end plug over arm channel. Align the holes and secure using one (1) 1/4-20 x 7/16 Quadrex Drive screw.
 2. For *Spirit and Fiesta*: Hook the remote lock over the brake lever while sliding the end plug over the arm. Align the holes in the arm and end plug and secure using one (1) 1/4-20 x 7/16 Quadrex Drive screw.

Tip: Slide the remote lock up until it protrudes over the arm. Hook the remote over the brake lever. Allow the remote lock to slide back into the channel while sliding the end plug over the arm channel.
11. Slowly roll up the awning and observe that the braces and arms nestle together correctly. If necessary, loosen the screws holding the upper mounting bracket then use the slots in the bracket to adjust the brace position so that the brace and arm nestle together properly.

SPRING WIND CHART

To Add Winds: Rotate the end plug over the top and away from the vehicle.

To Unwind: Rotate the end plug over the top and towards the vehicle.

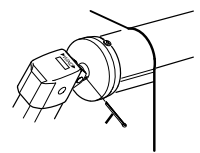
LENGTH OF AWNING	REPLACEMENT SPRING		WINDS W/ AWNING CLOSED	WINDS W/ AWNING OPEN
	RH	LH		
SPIRIT, FIESTA, FIESTA HD & SIMPLICITY				

7' 11" or less	R00926XXX-A	n/a	6	14
8' - 12'	R00925XXX-A	R00923XXX-A	5	13
12' 1" - 18'	R00925XXX-A	R00923XXX-A	7	15
18' 1" and longer	R00926XXX-A	R00924XXX-A	8	16
FIESTA LITE				
16' or less	R001703XXX-A	n/a	8	16
16' 1" and longer	R001704XXX-A	R001706XXX-A	7	15

REMOTE LOCK REPLACEMENT (SPIRIT AND FIESTA)

1. Open the awning. On the left arm, raise and lock the upper brace in position. Do not forget to tighten the black lock knob.

NOTE: As an additional safety, align the cotter pin holes in the LH cap and spring and temporarily insert a lock pin through the hole. This will prevent the awning from closing if the Spring upper brace is not adequately tightened.



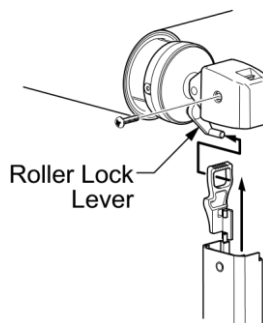
Lock Pin SF026

2. On the right side, tape the roller lock lever in the OPEN position.



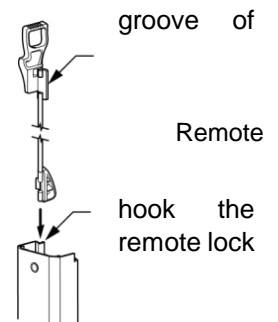
CAUTION The roller lock **MUST** stay in the open position. If the lever is pushed to the close position while the end plug is not attached to the arm channel, the wound spring will unwind quickly with significant force. Personal injury and/or property damage could occur.

3. (Detail A) Detach the end plug and lift off of the arm channel. Unhook the old remote lock stirrup from the lock lever while lifting the roller tube. x It will be necessary to hold onto the arm when the end plug is removed. x It will be necessary to support or hold the roller tube during the next two steps.



Roller Lock Lever

hold the roller tube during



groove of

Remote

hook the remote lock

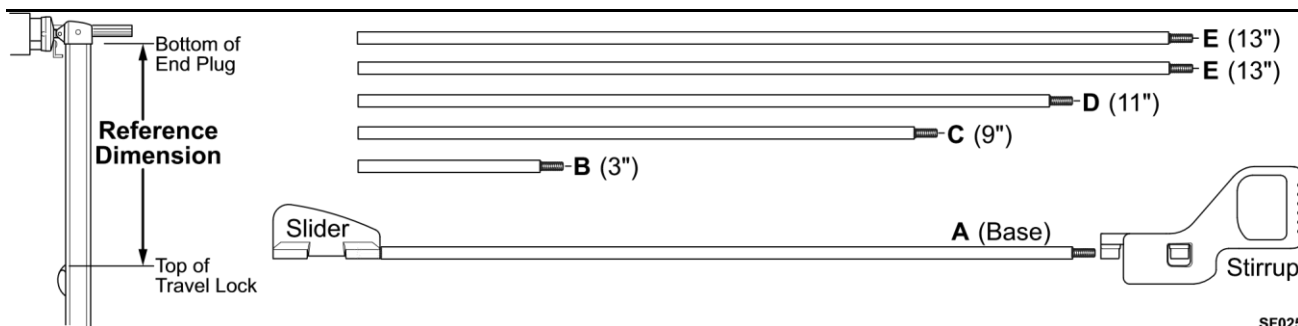
4. Slide the old remote lock out of the round the right arm.
5. Clean the groove then slide the new remote lock in. Allow the lock to protrude over the Lock arm channel.
6. Lift the roller tube over the arm channel and remote lock stirrup over the lever. Slide the into the channel while sliding the end plug onto the arm. Round Groove

7. Align the holes and secure the end plug with the screw removed previously.
8. Remove cotter pin (if installed) and the tape **DETAIL A** **DETAIL B** used to hold the lock lever in place. Right Arm Assy Remote Lock SF020

REMOTE LOCK REPLACEMENT (FIESTA HD)

The Fiesta HD metal remote lock can be used as an upgrade to existing Spirit and Fiesta awnings. The kit (901097HD) contains several sized rods that can be assembled to make the correct length of the remote lock.

1. Determine the correct length of the remote lock.



SF025

- 1.1. Measure the distance from the top of the travel lock to the bottom of the end plug. This will be the reference dimension for the chart below.
- 1.2. Remove the stirrup from the top of the base rod (A).
- 1.3. Based on the reference dimension, add the appropriate additional rods to the top of the base rod.

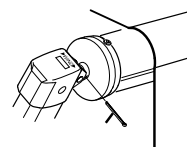
Reference Dimension	22.5"	31.5"	35.5"	38.5"	48.75"
Rods to Use:	A + D	A + C + D	A + D + E	A + B + D + E	A + D + E + E

NOTE: The finished length of the rod does not match the reference dimension.

- 1.4. Thread stirrup onto rod.
2. Open the awning. On the left arm, raise and lock the upper brace in position. Do not forget to tighten the black lock knob.

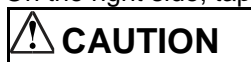
NOTE: As an additional safety, align the cotter pin holes in the LH cap and spring and temporarily insert a lock pin through the hole. This will prevent the awning from Spring closing if the upper brace is not adequately tightened.

Lock Pin



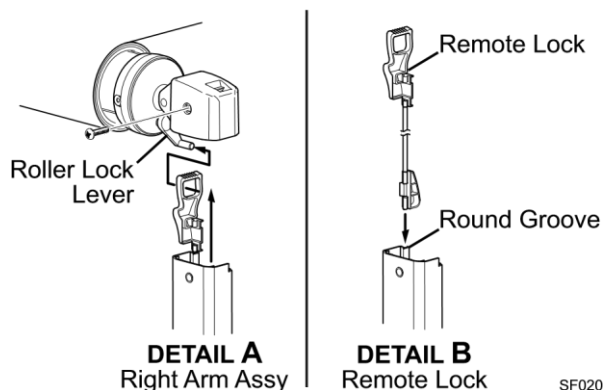
SF026

3. On the right side, tape the roller lock lever in the OPEN position.



CAUTION The roller lock **MUST** stay in the open position. If the lever is pushed to the close position while the end plug is not attached to the arm channel, the wound spring will unwind quickly with significant force. Personal injury and/or property damage could occur.

4. (Detail A) Detach the end plug and lift off of the arm channel. Unhook the old remote lock stirrup from the lock lever while lifting the roller tube.
5. It will be necessary to hold onto the arm when the end plug is removed.
6. It will be necessary to support or hold the roller tube during the next two steps.
7. Slide the old remote lock out of the round groove of the right arm.
8. Clean the groove then slide the new remote lock in. Allow the lock to protrude over the arm channel.
9. Lift the roller tube over the arm channel and hook the remote lock stirrup over the lever. Slide the remote lock into the channel while sliding the end plug onto the arm.
10. Align the holes and secure the end plug with the screw removed previously.
11. Remove cotter pin (if installed) and the tape used to hold the lock lever in place.

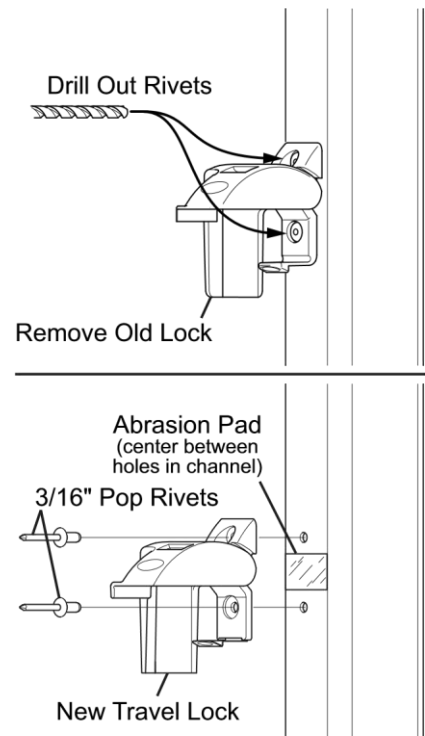


SF020

REPLACING THE TRAVEL LOCKS

These instructions apply to the standard and Fiesta HD travel locks. The Fiesta HD travel locks can be used as an upgrade to existing Spirit and Fiesta awnings (part number 901096HD).

1. Fully extend the awning.
2. Raise the awning until the rivets of the travel lock are exposed inside the channel.
3. Drill out the rivets and remove the old lock.
4. Clean the surface of the channel.
5. Remove the release paper and attach the abrasion pad to the channel. Pad should be centered between the holes.
6. Attach the new lock with the two (2) 3/16" pop rivets provided. You will need a pop rivet tool for this.



SF028

STANDARD MAINTENANCE

Maintaining the Carefree Manual Patio Awning is easy. Just follow these basic steps: x

Always operate the awning according to the instructions. x Periodically
check that the fasteners are tight. Tighten if necessary. x Keep the awning
fabric and arms clean.

FABRIC CARE

NOTICE Do not use oil based cleaners or any caustic, granulated, or abrasive type cleaners on your Carefree product.

1. One of the best ways to keep the fabric looking good and to delay the need for deep or vigorous cleanings is to hose fabrics off on a monthly basis with clear water. This practice will help prevent dirt from becoming deeply imbedded in the fabric. In most environments, a thorough cleaning will be needed every two to three years.
2. When it's time for a thorough cleaning, the fabric can be cleaned while still on an awning frame.
 - x For Vinyl Fabric – Use a soft brush and warm water with soap.
 - x For Acrylic Fabric – Use a stiff brush and warm water with soap.
3. When cleaning the fabric, it is important to observe the following: x Always use a natural soap, never detergent.
 - x Water should be cold to lukewarm, never more than 100qF. x Air-dry only. Never apply heat to the fabric. x Always allow the fabric to dry thoroughly before rolling up the awning.

Mildew

Mildew is a fungus growth that looks like dirt. Vinyl coated polyester fabrics are mildew resistant because of a chemical biocide in the vinyl coating. Under ordinary conditions, mildew will not appear. However, in areas where high temperature and humidity are common, mildew can be a problem and required the material to be washed more frequently. Thoroughly rinse the fabric with clean water and allow to air dry completely before rolling up the awning.

Pooling

When water collects on the top of the fabric, this is known as "pooling". This can occur during inclement weather or if a running air conditioner discharges over the awning. The water is dumped when the awning is retracted. It is recommended that if water accumulates on the top, briefly retract the awning to dump the water. This will help prevent the fabric from stretching or distorting.

Leaking

On vinyl canopies, side hems and poly cords are stitched in with a sewing machine. On occasion, this stitching may allow water to seep or leak through the stitches. This is normal and not a defect covered by warranty. Treat the seams with a quality seam sealer.

ARM CARE

The best method of keeping the arms and braces operating smoothly is to clean them. Dirt and debris can cause the channels not to slide easily.

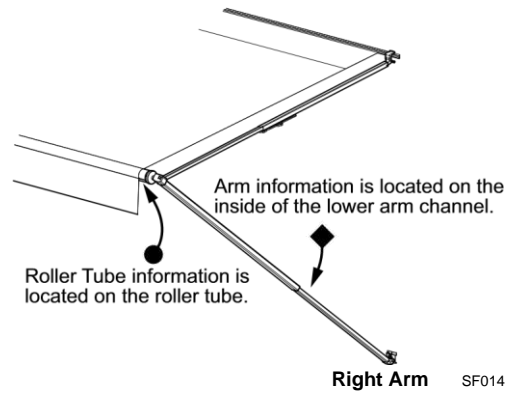
Periodically wash out the channels with running water (i.e. a hose) to keep them clean. If the channels still do not slide easily, lightly spray the inside of the channels with a dry silicone lubricant, after the arms have been cleaned and dried thoroughly.

Hardware Maintenance

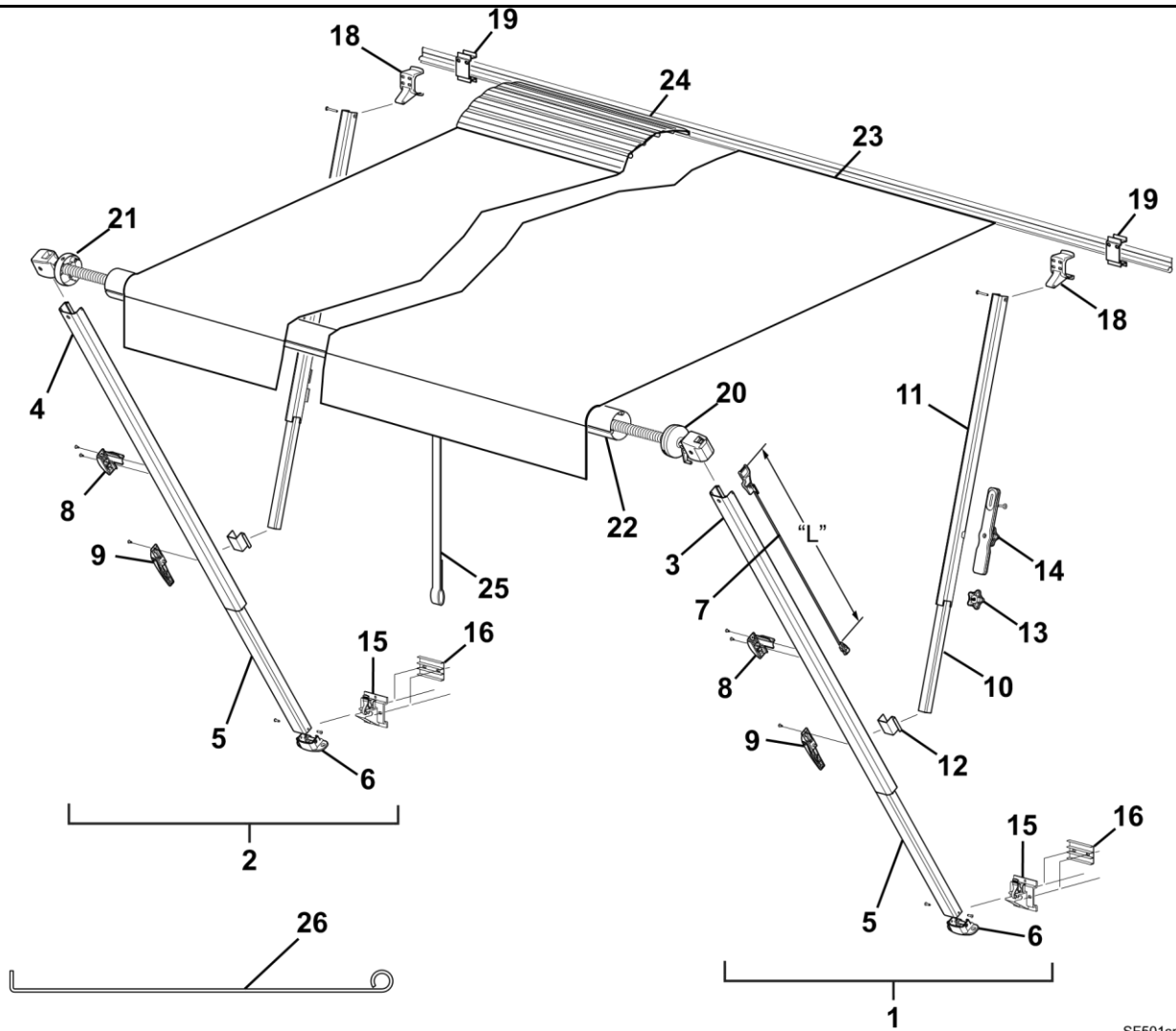
- x Replace any parts that become damaged. x Periodically check all mounting hardware, screws, lags, etc., and re-tighten when necessary.
- x Locking knobs should be periodically loosened and removed then sprayed with a dry lubricant to prevent binding and locking.

PART NUMBER LISTING

PART NUMBER/SERIAL NUMBER LOCATION



SPIRIT FX AND FIESTA ILLUSTRATED PARTS LIST



SF501sm

Item	Part Number	Description		Notes
1	R00415-3nn-XX	1/2 Set Hardware		Right 1,3
2	R00416-3nn-XX	1/2 Set Hardware		Left 1,3
3	R00410-3nn-XX	Upper Main Arm	(includes items 7, 8, 9)	Right 1,3
4	R00411-3nn-XX	Upper Main Arm	(includes items 8, 9)	Left 1,3
5	R00412-3nn-XX	Lower Main Arm	(includes Item 6)	1,3
6	901020	Carport Foot		Black
	901020W	Carport Foot		White
7	R012803-005	Remote Lock, White	L = 38.5"	Universal
	R012803-006	Remote Lock, Black	L = 38.5"	Universal
	R012803-105	Remote Lock, White	L = 25.4"	Hi-Lo
	R012803-106	Remote Lock, Black	L = 25.4"	Hi-Lo
	R012803-405	Remote Lock, White	L = 41.5"	Monaco
	R012803-406	Remote Lock, Black	L = 41.5"	Monaco
	R012803-506	Remote Lock, Black	L = 51.8"	Teton

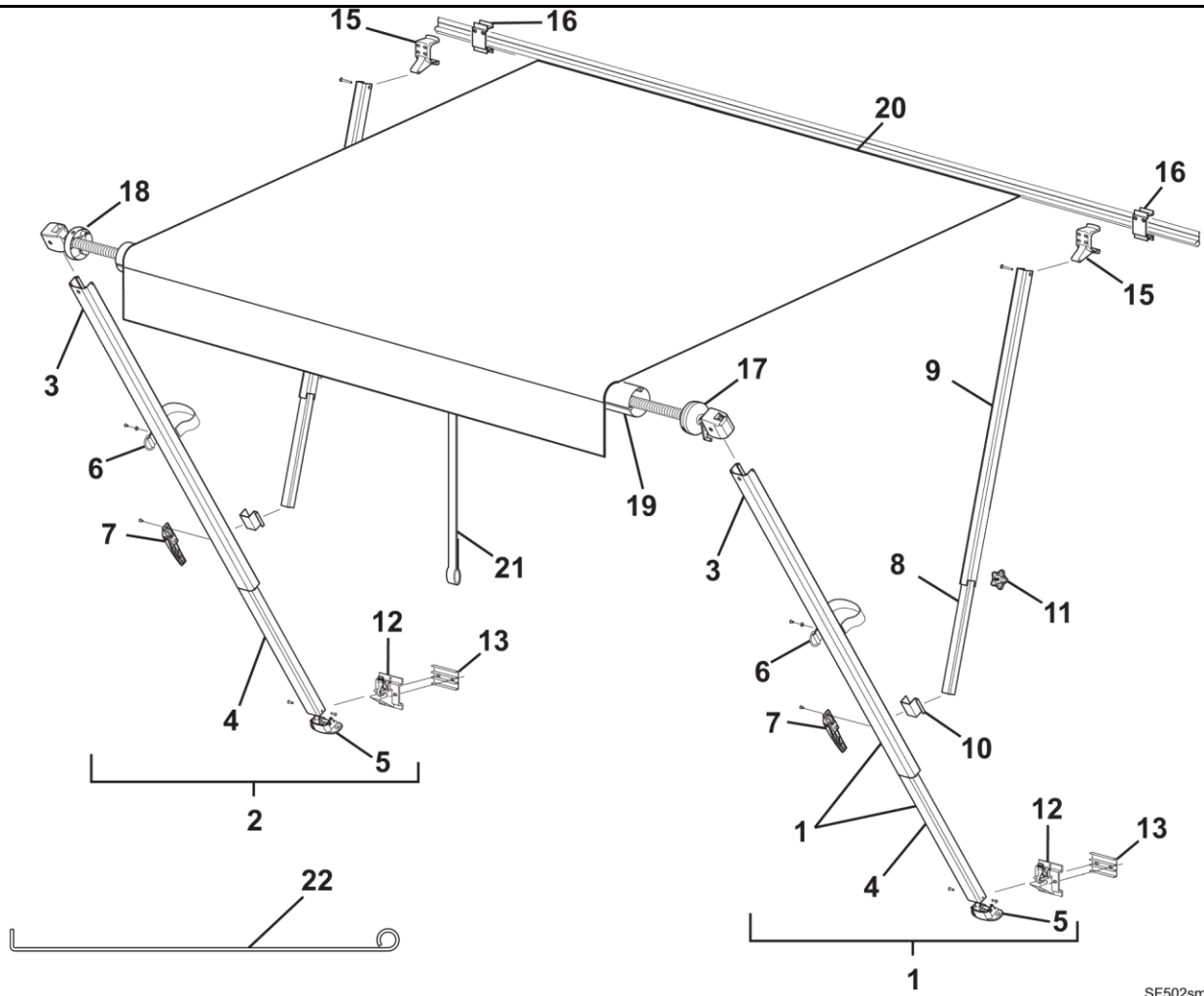
8	R012803-205	Remote Lock, White	L = 34.4"	Short	
	R012803-206	Remote Lock, Black	L = 34.4"	Short	
	901017	Travel Lock, Black			
	901017W	Travel Lock, White			
9	901015W	Handle, White			
	901015	Handle, Black			
10	R00414-3nn-XX	Lower Brace	(includes item 12)		1,3
11	R00413-3nn-XX	Upper Brace	(includes items 13, 14, 18)		1,3
12	R00405	Brace Slider			
	R00405-2	Brace Slider, Curved Hardware			
13	R00549	Brace Slider		Pre 1997	
	901022	Locking Knob			
14	902801W	Canopy Clamp, White			
	902801	Canopy Clamp, Black			
15	901019W	Bottom Bracket, White			
	901019	Bottom Bracket, Black			
16	R00716	Bottom Bracket, Shim, Optional		pkg of 2	
17	169037	Bottom Bracket Stand-Off, Optional		Airstream	
18	901018W	Top Bracket, White			
	901018	Top Bracket, Black			
19	249153	Top Bracket Stand-Off		Optional	
20	R00926XXX-A	Spring Assy, RH		7' 11" or less	2,4,5
	R00925XXX-A	Spring Assy, RH		8'-18'	2,4,5
	R00926XXX-A	Spring Assy, RH		18' 1" and longer	2,4,5
21	R00923XXX-A	Spring Assy, LH		8'-18' Width	2,4,5
	R00924XXX-A	Spring Assy, LH		18' 1" and longer	2,4,5
22	R098226-005	Idler End Cap, White	(Does Not Include a Spring)	7' 11" or less	2
	R098226-006	Idler End Cap, Black	(Does Not Include a Spring)	7' 11" or less	2
	19xx00	Roller Tube, 4-slot		3 1/2" Dia	
23		Canopy Only		Refer to Canopy Order Form	
24	20xx36XXX	Alumaguard Only			
25	901011	Pull Strap			
26	901035	Pull Wand		43"	
	901035XL	Pull Wand		60"	
<i>The following items are not shown</i>					
	R012479-006	Hardware Pack		Black Castings	
	R012479-005	Hardware Pack		White Arms w/ White Castings	

Item	Part Number	Description		Notes
1	R001891-9nn-XX	1/2 Set Hardware		Right 1,2
2	R001892-9nn-XX	1/2 Set Hardware		Left 1,2
3	R001893-9nn-XX	Upper Main Arm	(includes items 8, 9, 10)	Right 1,2
4	R001894-9nn-XX	Upper Main Arm	(includes items 9, 10)	Left 1,2
5	R001895-9nn-XX	Lower Main Arm	(includes item 7)	Right 1,2
6	R001896-9nn-XX	Lower Main Arm	(includes item 7)	Left 1,2
7	901020	Carport Foot		Black
	901020W	Carport Foot		White
8	901097HD	Remote Lock Kit		Orange
	901097HDW	Remote Lock Kit		White
	901097HDB	Remote Lock Kit		Black
9	901096HD	Travel Lock Kit		Orange
	901096HDW	Travel Lock Kit		White
	901096HDB	Travel Lock Kit		Black
10	901015W	Handle, White		
	901015	Handle, Black		
11	R001897-005	Lower Brace	(includes item 13)	White
	R001897-006	Lower Brace	(includes item 13)	Black
12	R001898-005	Upper Brace	(includes item 14, 15, 18)	White
	R001898-006	Upper Brace	(includes item 14, 15, 18)	Black
13	R00405	Brace Slider		
14	901022	Locking Knob		
15	901098HD	Canopy Clamp, pkg of 2		Orange
16	901019W	Bottom Bracket, White		
	901019	Bottom Bracket, Black		
17	R00716	Bottom Bracket, Shim, Optional		pkg of 2
18	901018W	Top Bracket, White		
	901018	Top Bracket, Black		
19	249153	Top Bracket Stand-Off		Optional
20a	R00926XXX-A	Spring Assy, RH		7' 11" or less 3,4
20b	R00925XXX-A	Spring Assy, RH		8'-18' 3
20c	R00926XXX-A	Spring Assy, RH		18' 1" and longer 3
21a	R00923XXX-A	Spring Assy, LH		8'-18' Width 3
21b	R00924XXX-A	Spring Assy, LH		18' 1" and longer 3
21c	R098226-005	Idler End Cap, White (Does Not Include a Spring)		7' 11" or less 4

22	R098226-006 19xx00	Idler End Cap, Black (Does Not Include a Spring) Roller Tube, 4-slot	7' 11" or less 3 1/2" Dia	4
23		Canopy Only	Refer to Canopy Order Form	
24	20xx36XXX	Alumaguard Only		
25	901011	Pull Strap		
26	901035	Pull Wand	43"	
	901035XL	Pull Wand	60"	
	<i>The following items are not shown</i>			
27	R012479-006	Hardware Pack	Black Castings	
28	R012479-005	Hardware Pack	White Arms w/ White Castings	
29	030573	Slider Set Screw		

- Notes: 1. XX = Color: 66=Black; 55=White
 2. nn = Arm style: -901 = Universal; -916 = Long
 3. For spring assemblies (items 20a, 20b, 20c, 21a, 21b), XXX = Color: BLK = Black; WHT = White
 4. Awnings 7'11" and shorter use only one RH spring (21a), no left hand spring.

SIMPLICITY ILLUSTRATED PARTS LIST



SF502sm

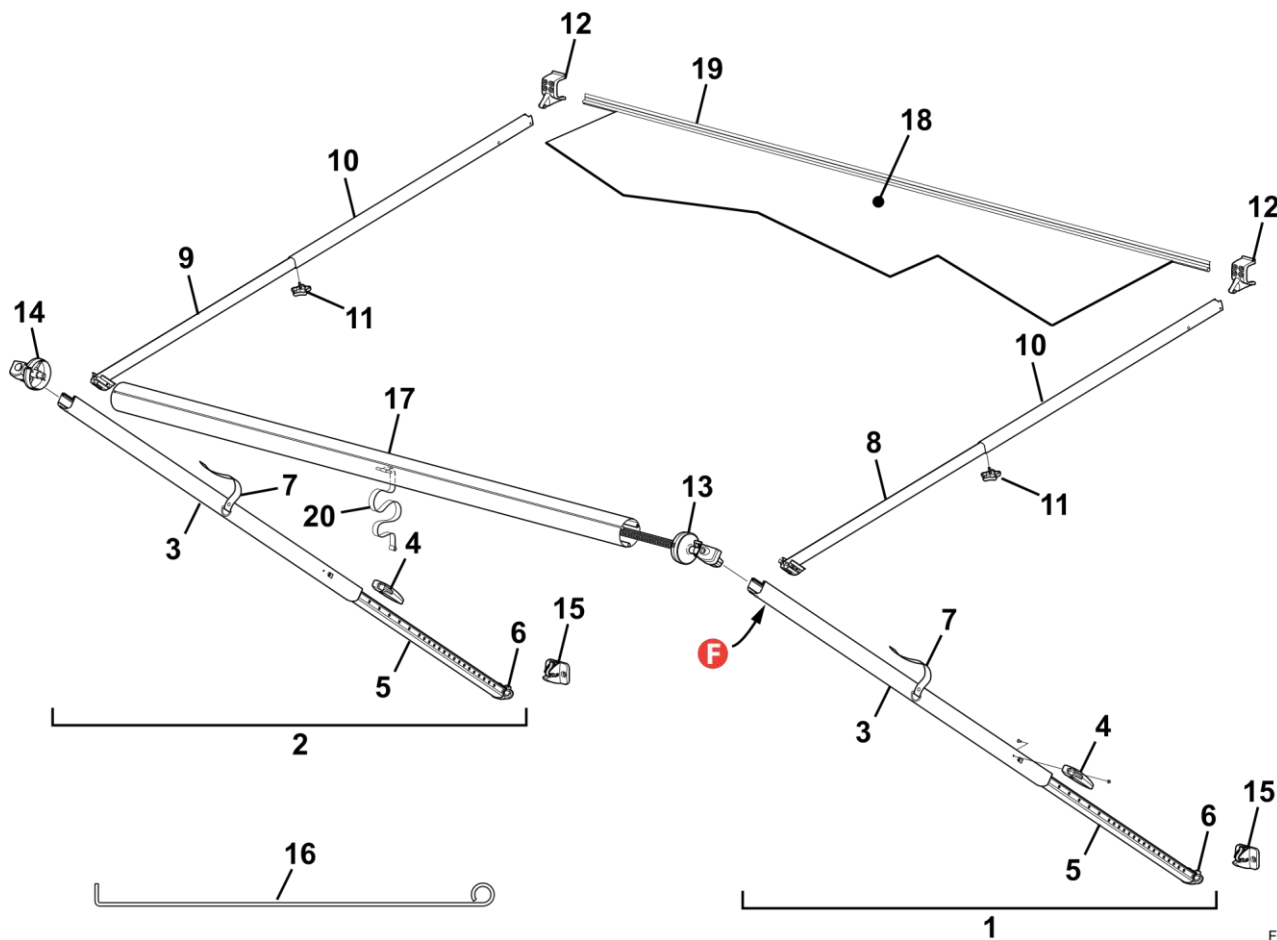
Item	Part Number	Description	Notes
1	R00415-4nn-XX	Arm Assy, 1/2 Set	Right 1,2
2	R00416-4nn-XX	Arm Assy, 1/2 Set	Left 1,2
3	R00410-4nn-XX	Upper Main Arm (includes items 6, 7)	1,2
4	R00412-4nn-XX	Lower Main Arm (includes Item 5)	1,2
5	249104UP	Carport Foot	Unpainted
6	R00532	Travel Strap	
7	901015W	Handle, White	
	901015	Handle, Black	
8	R00414-4nn-XX	Lower Brace (includes item 10)	1,2
9	R00413-4nn-XX	Upper Brace (includes items 11, 15)	1,2
10	R00405	Brace Slider	
	R00549	Brace Slider	Pre1997
11	901022	Locking Knob	
12	R00935	Bottom Bracket	pkg of 2
13	R00716	Bottom Bracket, Shim	pkg of 2
15	249162UP	Top Bracket	
16	249153	Top Bracket Stand-Off	pkg of 2
17	R00925MIL-A	Spring Assy, RH	8'-18'
	R00926MIL-A	Spring Assy, RH	18' 1" and longer
18	R00923MIL-A	Spring Assy, LH	8'-18' Width
	R00924MIL-A	Spring Assy, LH	18' 1" and longer
19	19xx00	Roller Tube, 4-slot	3 1/2" Dia
20		Canopy Only	Refer to Canopy Order Form
21	901011	Pull Strap	
22	901035	Pull Wand	43"
	901035XL	Pull Wand	61"
	<i>The following items are not shown</i>		
	R012804-002	Hardware Pack	

Notes: 1. XX = Color -00 = Satin w/ unpainted Castings

-50 = White w/ unpainted Castings

2. nn = Arm style.

FIESTA LITE ILLUSTRATED PARTS LIST



FS501

Item	Part Number	Description	Notes
1	R001701-1XX-xx	1/2 Set Hardware	Right
2	R001702-1XX-xx	1/2 Set Hardware	Left
3	R001774-XXX	Upper Main Arm, (includes item 4)	1
4	901071	Handle Assy	Black
	901071WHT	Handle Assy	White
5	R001668-XXX	Lower Main Arm, (includes Item 6)	1
6	901068	Carport Foot	Black
	901068WHT	Carport Foot	White
7	R00532	Travel Strap	
8	R001669-XXX	Lower Brace, RH	1,2
9	R001671-XXX	Lower Brace, LH	1,2
10	R001673-XXX	Upper Brace, (includes items 11, 12)	1
11	R001674	Locking Knob	
12	901069	Top Bracket	Black

