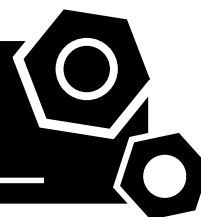


Generator set
Sound-proof type
WPS20S-AU

SPECIFICATIONS



1 Standards & Conditions

Design Standards

The designs and the productions are in conformity with:

- Conformance Europeanne (CE)
- China Compulsory Certification (CCC)
- ISO8528-5:2005
- GB/T2820.5-2009
- AS 3000-1997
- AS 3010.1-1988

Environmental Operating Conditions

- Installation place: Outdoors or indoors (well ventilated).
- Ambient temperature: -25°C to 45°C. The coolant heater is needed when the temperature is below 5°C
- Humidity: Less than 90%.
- Altitude: Below one thousand (1000) meters above sea level.

Factory Inspection

- Inspection items.
- Protection devices working test.
- Starting ability in normal temperature.
- 50% rated power load moment capability.
- Voltage deviation and speed variation: 0%, 25%, 50%, 75%, 100%, 110% Load.

Painting Process

- Painting process specifications and colors are based on the manufacturer's standard.
- The customer could also choose the color which the manufacturer offers.

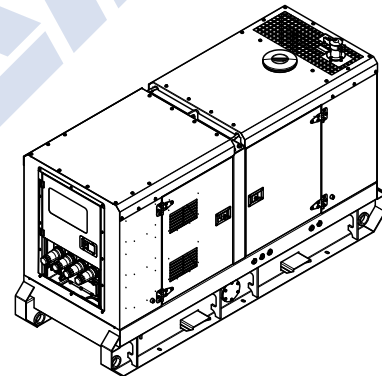
2 General Features

- Perkins engine 404D-22G
- Close coupled to a Leroy somer alternator LSA42.2L9
- Microprocessor control module PLC-702
- NADER main circuit breaker: 3-Phase 32A
- Rotate speed governor: Mechanical governor
- Excitation System: Self Excited,SHUNT
- A.V.R.Model: R250
- Key switch
- Emergency stop switch
- ATS (automatic transfer switch) receptacle

- Remote run connector
- 1x12V sealed for life maintenance free battery
- Lockable battery isolator switch
- Powder coated canopy
- 50°C radiator
- Oil pump on the engine
- Non-returning valve for fuel inlet hose of the engine
- Steel base frame with forkslots
- Vibration isolators between the engine/alternator and base frame
- Dry type air filter
- Base fuel tank for 24hours running
- Drain points for fuel tank
- Breather valve for fuel tank
- Operation Manual / Specifications

3 Equipment Specification

General technical data

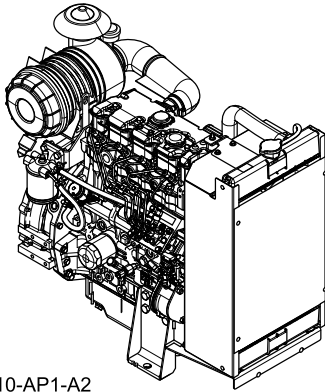


1000022343-AP1-B3

Model.....	WPS20S-AU
Structure type	R
Tank capacity.....	150L
Dry weigh.....	915kg
Noise level @7m	59.3dBA
Dimensions L×W×H.....	2313x874x1366mm
Standby Power	22kVA/17kW
Prime Power	20kVA/16kW
Voltage/Ampere	415V/28A

Genset Fuel Consumption					
Frequency/Load	25%	50%	75%	100%	110%
50Hz (L/h)	N/A	2.9	4.0	5.3	6.1

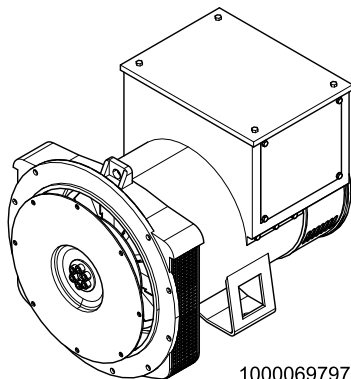
Diesel Engine



1000090010-AP1-A2

Engine Manufacturer/Brand.....	Perkins
Engine Model.....	404D-22G
Dimensions L×W×H.....	915×477×840mm
Dry Weigh (approx.).....	242kg
Number of Cylinders.....	4
Bore.....	84mm
Stroke.....	100mm
Displacement.....	2.216L
Compression Ratio.....	23.3
Type of injection.....	Indirect injection
Intake System.....	Natural aspirated
Intake Resistance.....	≤6.4kPa
Cooling System.....	Water cooled
Fan.....	Pusher
Battery Voltage.....	12V
Type of Fuel.....	EPA2D 89.330-96/CEC RF-06-99
Type of Oil.....	API-CH-4/ ACEA E5
Oil Capacity.....	10.6L
Type of Coolant.....	Glycol mixture
Coolant Capacity.....	7.0L
Back Pressure.....	≤10.2kPa
Standby Power.....	20.6kW
Prime Power.....	18.7kW
Fuel Consumption(100%load).....	243g/kWh

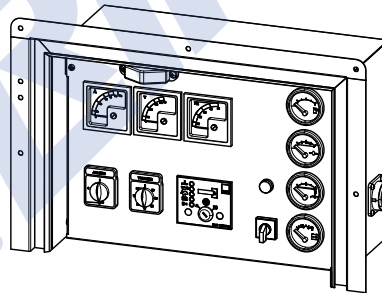
Alternator



1000069797-AP1-A5

Alternator Manufacturer/Brand.....	Leroy Somer
Alternator Model.....	LSA42.2L9
Exciter.....	Brushless
Cooling Fan.....	Cast alloy aluminum
Windings.....	100% copper
Insulation Class.....	H
Winding Pitch.....	2/3
Terminals.....	12
Drip Proof.....	IP23
Altitude.....	≤1000m
Overspeed.....	2250rpm
Air Flow.....	0.15m³/s
Voltage Regulation.....	±0.5%
Total harmonic TGH / THC.....	< 4%
Telephone Interference.....	THF<2%;TIF<50

PLC-702 Control System



1000103997-AP1-A1

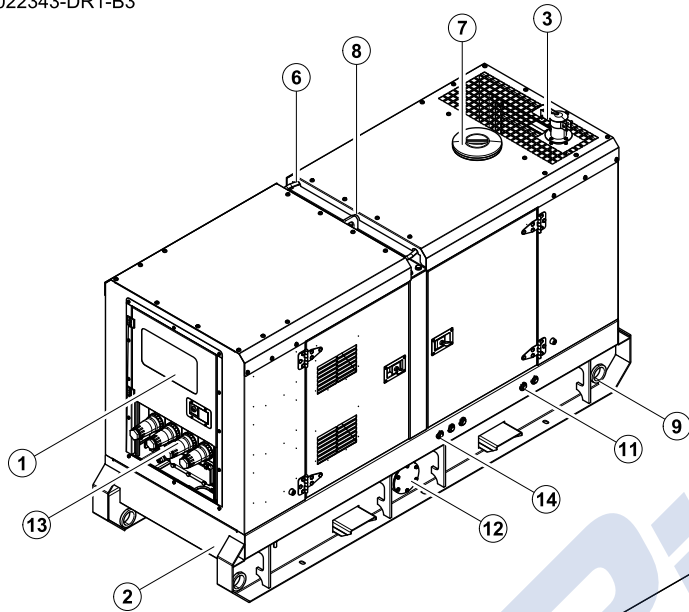
PLC-702 key manual start module is a manual engine control module designed to control the engine via a key switch and push buttons on the front panel. The module is used to start and stop the engine and indicate fault conditions, automatically shutting down the engine and giving a true first up fault condition of an engine failure.

Standard Control Function

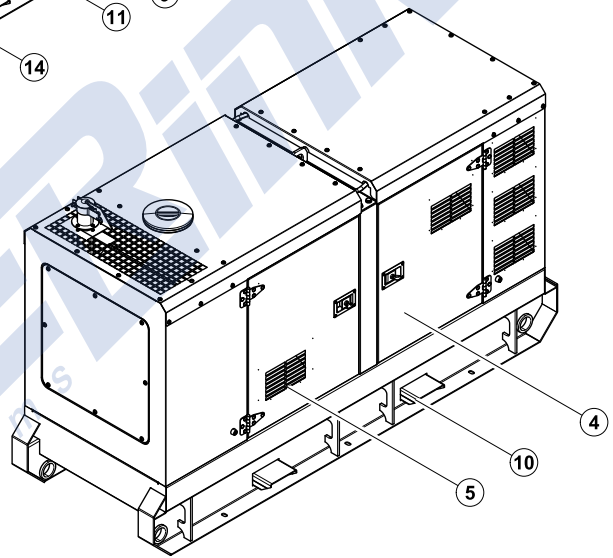
- Manual Engine Control Module
- Low Oil Pressure
- High Engine Temperature
- Auxiliary Shutdown
- Overspeed Protection
- Protection hold-off timer
- Charge Failure warning

4 Overall Dimensions

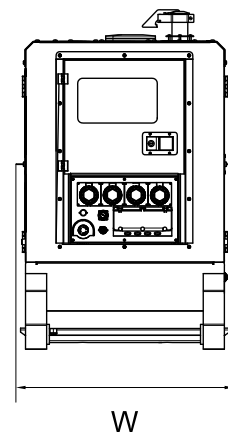
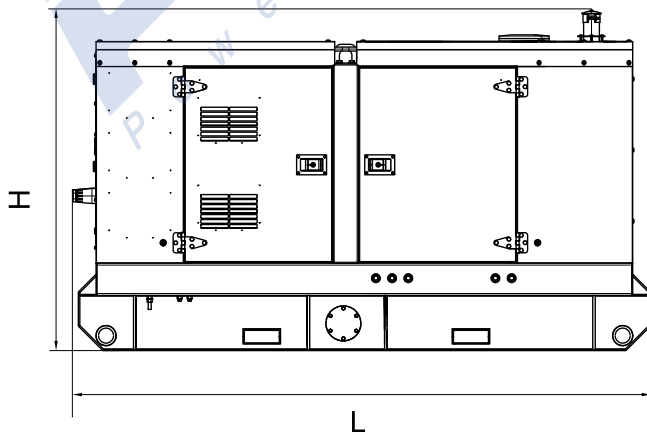
1000022343-DR1-B3



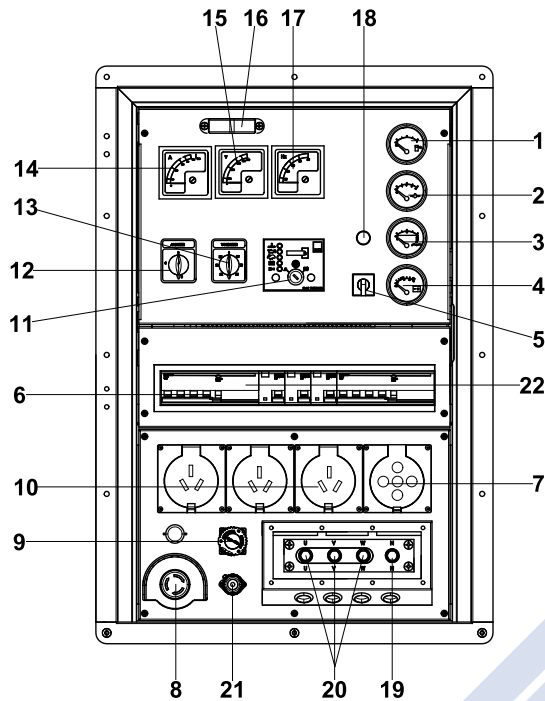
dryweight	915Kg
Fuel tank capacity	150L
Dimensions LxWxH	2313x874x1366mm



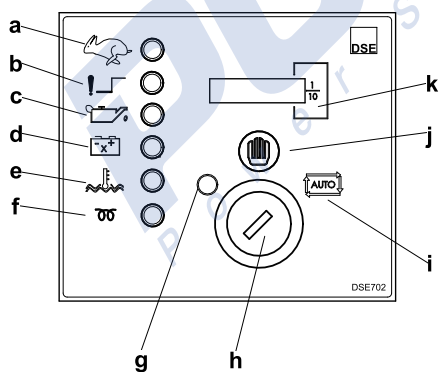
- ⑦ Coolant inlet
- ⑥ Roping lug
- ⑤ Air inlet
- ④ Access door
- ③ Exhaust gas outlet
- ② Base frame
- ① Control cabinet
- ⑭ Oil drain/external fuel inlet/return hose fitting
- ⑬ Convenience receptacle
- ⑫ Fuel drain
- ⑪ Coolant hose fitting
- ⑩ Fork lift channel
- ⑨ Tie down
- ⑧ Lifting lug



5 Control System



Control & field wiring cabinet



Control Panel

Ref.	Description
1	Fuel level meter
2	Oil pressure meter
3	Water temperature meter
4	Battery voltage meter
5	Control panel lamp switch
6	Main circuit breaker
7	1x three-phase convenience receptacle
8	Emergency stop switch
9	ATS connector
10	3x single-phase convenience receptacle
11	PLC-702 control module
12	Ammeter change-over switch
13	Voltmeter change-over switch
14	Current meter
15	Voltage meter
16	Control panel lamp
17	Frequency meter
18	Charge indicator
19	Neutral wire terminal
20	Live wire terminals
21	Remote run connector
22	RCD.

a	Over speed protection LED
b	Fail to start LED
c	Low oil pressure protection LED
d	Charge failure warning LED
e	High engine temperature protection LED
f	Pre-heat LED
g	Stop model position
h	Control module key switch
i	Auto start position
j	Manual start button
k	Time counter

100022343-B3-E

06.2012

POWERLINK[®]
Power Systems

<http://www.powerlinkworld.com>

*Specification may change without prior notice. For more info.,
contact Power Link or your local distributors please.*