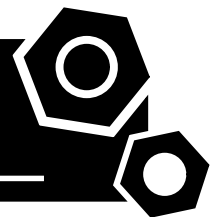


Generator set

Sound-proof type

PK10S

SPECIFICATIONS



RK series
PK10S
 50 Hz @ 1500rpm, 1-phase/3-wiring

1 Standards & Conditions

Design Standards

The designs and the productions are in conformity with:

- Conformance Européenne (CE)
- China Compulsory Certification (CCC)
- ISO8528-1995
- GB/T2820-1997

Environmental Operating Conditions

- Installation place: Outdoors or indoors (well ventilated).
- Ambient temperature: -25°C to 45°C. The coolant heater is needed when the temperature is below 5°C
- Humidity: Less than 80%.
- Altitude: Below one thousand (1000) meters.

Factory Inspection

- Inspection items.
- Protection devices working test.
- Starting ability in normal temperature.
- 50% rated power load moment capability.
- Voltage deviation and speed variation: 0%, 25%, 50%, 75%, 100%, 110% Load.

Painting Process

- Painting process specifications and colors are based on the manufacturer's standard.
- The customer could also choose the color which the manufacturer offers.

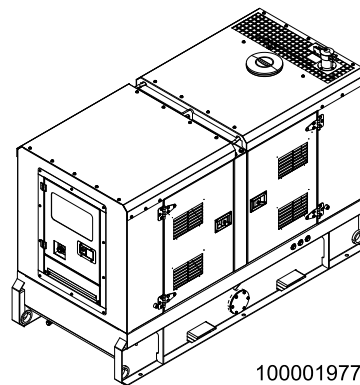
2 General Features

- KUBOTA engine D1105-BG
- Close coupled to a Stamford alternator PI044H
- Microprocessor control module PLC-702
- SCHNEIDER main circuit breaker: 1-Phase 63A
- Key switch
- Emergency stop switch
- ATS (automatic transfer switch) receptacle

- 1x12V sealed for life maintenance free battery
- Lockable battery isolator switch
- Powder coated canopy
- 50°C radiator
- Oil pump on the engine
- Steel base frame with forklifts
- Vibration isolators between the engine/alternator and base frame
- Dry type air filter
- Base fuel tank with 40 hours running
- Drain points for fuel tank
- Operator's Manual / Specifications

3 Equipment Specification

General technical data

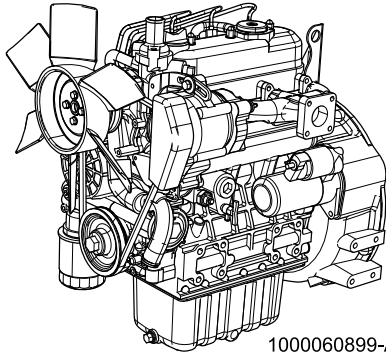


1000019770-AP1-B4

Model.....PK10S
 Structure typeRS
 Tank capacity 100L
 Dry weigh..... 680kg
 Noise level @7m N/A
 Dimensions L×W×H..... 1932x898x1310mm
 Standby Power 11kVA/8.8kW
 Prime Power 10kVA/8kW

Voltage	220V	230V	240V
Ampere	45.5A	43.5A	41.7A

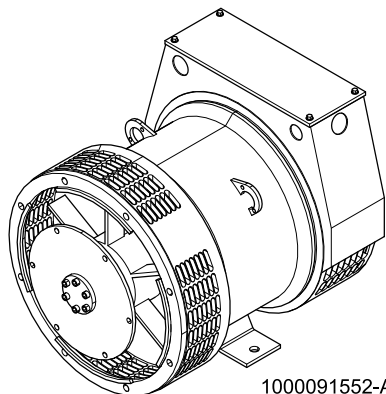
Diesel engine



1000060899-AP1-A5

Engine Manufacturer/Brand.....	KUBOTA
Engine Model.....	D1105-BG
Dimensions L×W×H.....	549.3×398.0×604.7mm
Dry Weigh (approx.)	93kg
Number of Cylinders.....	3
Bore.....	78mm
Stroke.....	78.4mm
Displacement.....	1.123L
Compression Ratio.....	22
Type of injection.....	N/A
Intake System.....	Natural aspirated
Intake Resistance.....	1.96kPa
Cooling System	Water cooled
Fan	Pusher
Battery Voltage.....	12V
Type of Fuel.....	No.2-D(ASTM D975)
Type of Oil	Better than API CD class
Oil Capacity.....	5.1L
Type of Coolant	Glycol mixture
Coolant Capacity.....	6.4L
Back Pressure.....	≤7.07kPa
Standby Power.....	9.5kW
Continuous Power.....	8.4kW
Fuel Consumption(100%load).....	220g/kW.h

Alternator

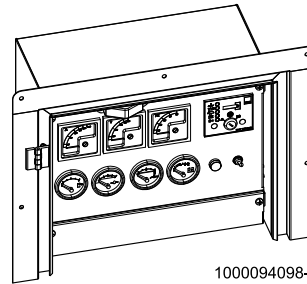


1000091552-AP1-A1

Alternator Manufacturer/Brand.....	Stamford
------------------------------------	----------

Alternator Model.....	PI044H
Exciter.....	Brushless
Cooling Fan.....	Cast alloy aluminum
Windings.....	100% copper
Insulation Class.....	H
Winding Pitch.....	2/3
Terminals.....	12
Drip Proof.....	IP23
Altitude.....	≤1000m
Overspeed.....	2250rpm
Air Flow.....	0.11 m³/s(50Hz),0.135m³/s(60Hz)
Voltage Regulation.....	±0.5 %
Total harmonic TGH / THCat no load < 1.5 % - on load < 5 %	
Telephone Interference.....	THF<2%;TIF<50

PLC-702 Control System



1000094098-AP1-B2

PLC-702 key manual start module is a manual engine control module designed to control the engine via a key switch and push buttons on the front panel. The module is used to start and stop the engine and indicate fault conditions, automatically shutting down the engine and giving a true first up fault condition of an engine failure.

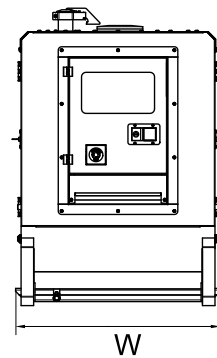
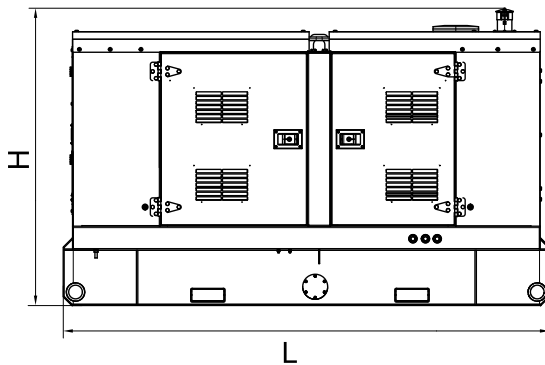
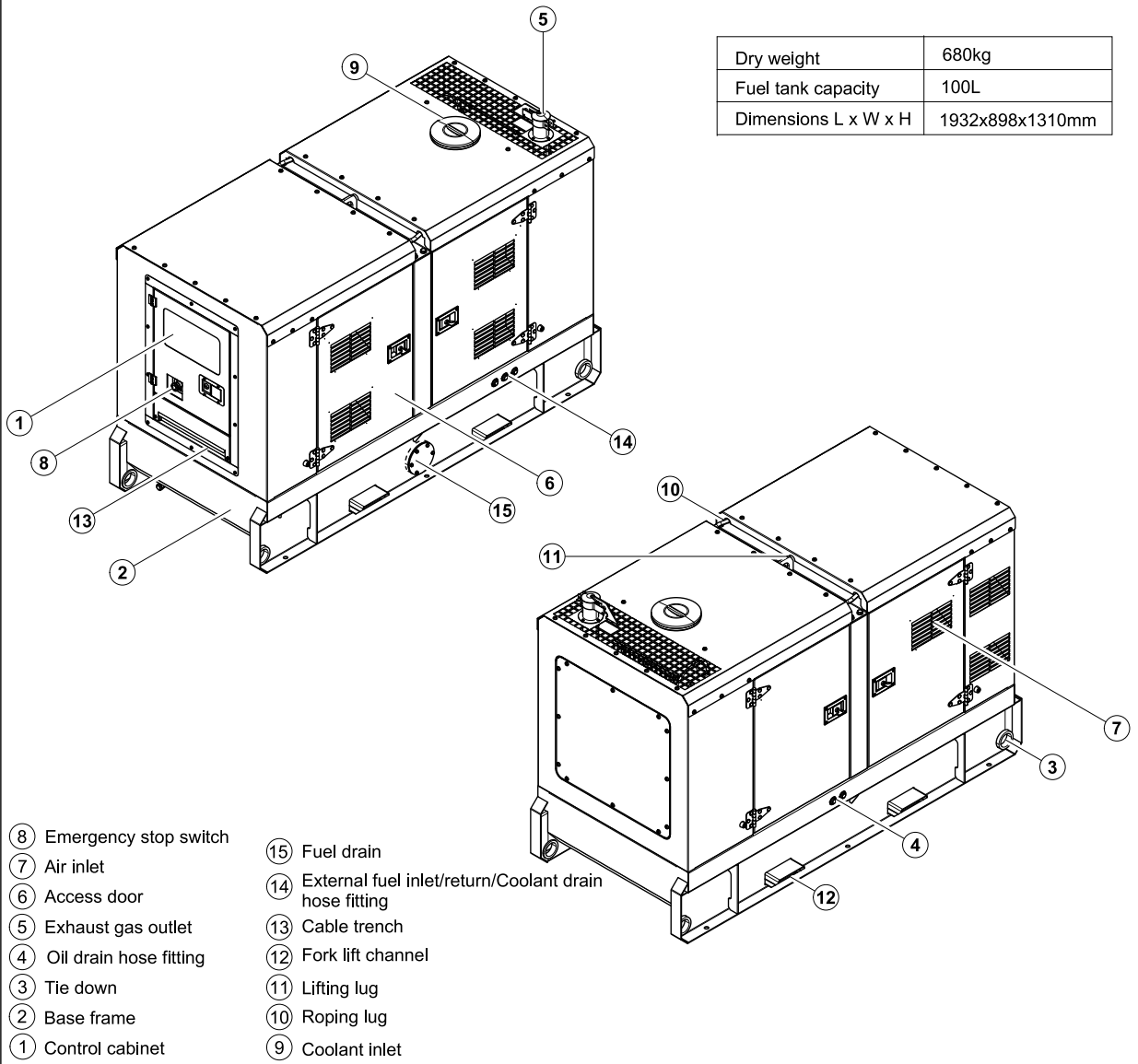
Standard Control Function

- Manual Engine Control Module
- Low Oil Pressure
- High Engine Temperature
- Auxiliary Shutdown
- Overspeed Protection
- Protection hold-off timer
- Charge Failure warning

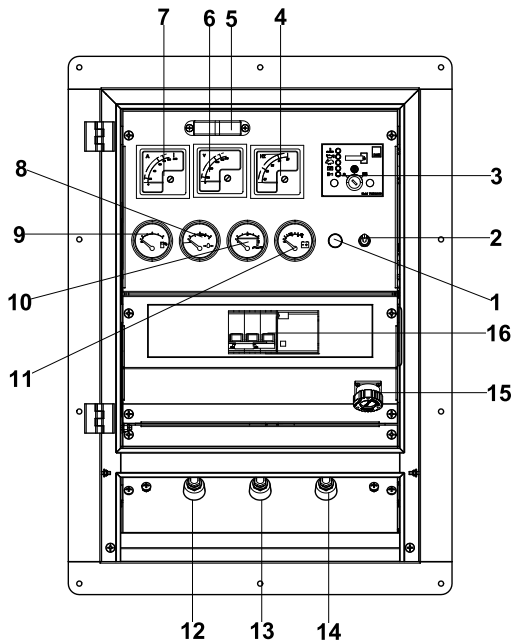
4 Overall Dimensions

1000019770-DR1-B4

Dry weight	680kg
Fuel tank capacity	100L
Dimensions L x W x H	1932x898x1310mm

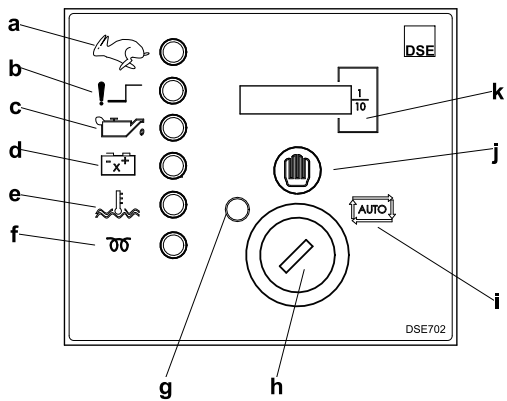


5 Control System



Control & field wiring cabinet

Ref.	Description
1	Charge indicator
2	Control cabinet lamp switch
3	Control module
4	Frequency meter
5	Control cabinet lamp
6	Voltage meter
7	Current meter
8	Oil pressure meter
9	Fuel level meter
10	Water temperature meter
11	Battery voltage meter
12	Live wire terminal
13	Neutral wire terminal
14	Ground wire terminal
15	ATS communication interface
16	Main circuit breaker



Control panel

a	Over speed protection LED
b	Alarm LED
c	Low oil pressure protection LED
d	Charge failure warning LED
e	High engine temperature protection LED
f	Pre-heat LED
g	Stop model position
h	Control module key switch
i	Auto start position
j	Manual start button
k	Time counter

1000019770-B4-E
10.2011