



**AWARD
WINNER**

PRODUCT  REVIEW
.COM.AU

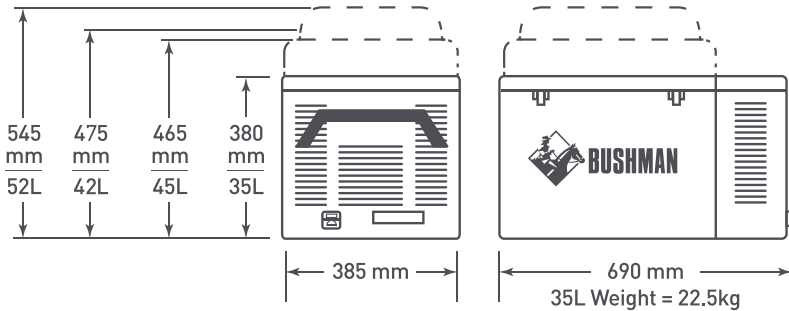
2017 | 2018 | 2019
2020 | 2021



THE ORIGINAL BUSHMAN FRIDGE



Tech Specs



Fridge

Operates up to a 30° angle

Set temperature range -18 °C to 10 °C

Volume adjustable 35L, 42L, 45L, 52L

Average 0.67 Ah with the fridge set at 4 °C in 25 °C ambient (16 Ah over 24 hours)

Compressor

German designed Secop Danfoss compressor

Variable Speed Drive 2A - 4.5A

Voltage range
12 V – 24 V DC

12 V Low voltage cut out 9.6V, cut in 10.9V



Warranty 5 Years Australia Wide

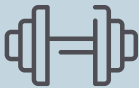


Reliable

Conquer the harshest Australian conditions



**Steel
Cabinet**



**Secop
Danfoss
Compressor**



Proven to survive in
Australia's harshest
conditions for over
20 years

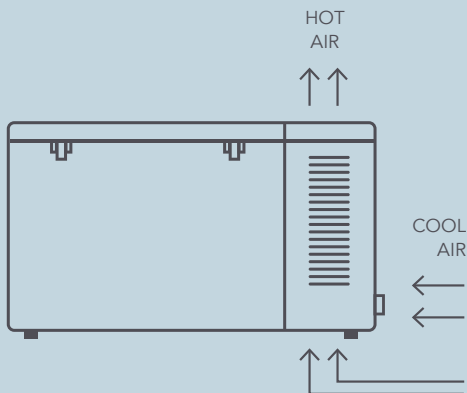


Light on power

Achieve outstanding efficiency in high temperatures

Superior Ventilation

360° vents get the heat out faster so you use less power



Digital Thermostat

Simple and accurate temperature control with LCD display

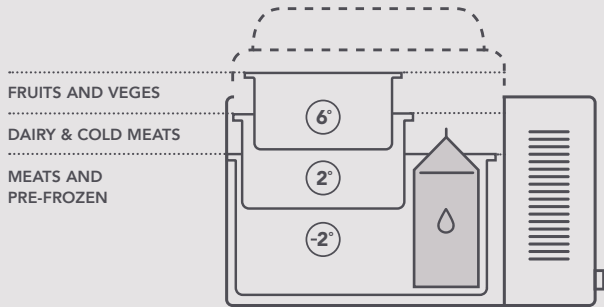


Easy to use

A fridge that adjusts to suit your needs

3 Cooling Spaces

Varying temperatures and room to stand up large bottles



A fridge like no other

CAMPING		52L
WEEKEND GETAWAYS		45L
EVERYDAY		35L



The Original Bushman 35L for \$1295_{rrp}

35L Bushman includes

240V-12V Transformer | Large Basket | Small Stacking Basket
4 Heavy Duty Tie-Down Points | Transit cover



Add an Extension Kit for \$200*

Takes the
capacity from
35L to 52L



7 Litre Dome Lid



10L Extension Collar



Medium Basket

*RRP \$300



BUSHMAN

3 Contour Cl Research
Victoria, Australia 3095
T 03 9437 0737
E info@bushman.com.au
BUSHMAN.COM.AU



OPERATING FOR OVER
35
YEARS